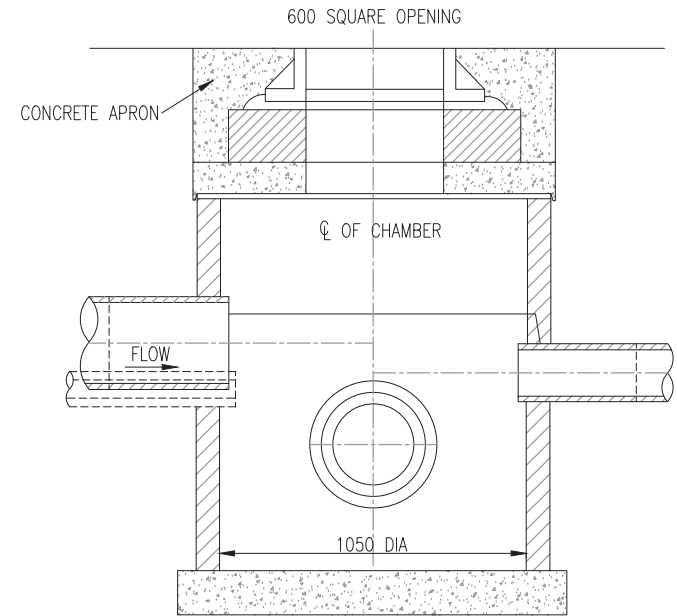
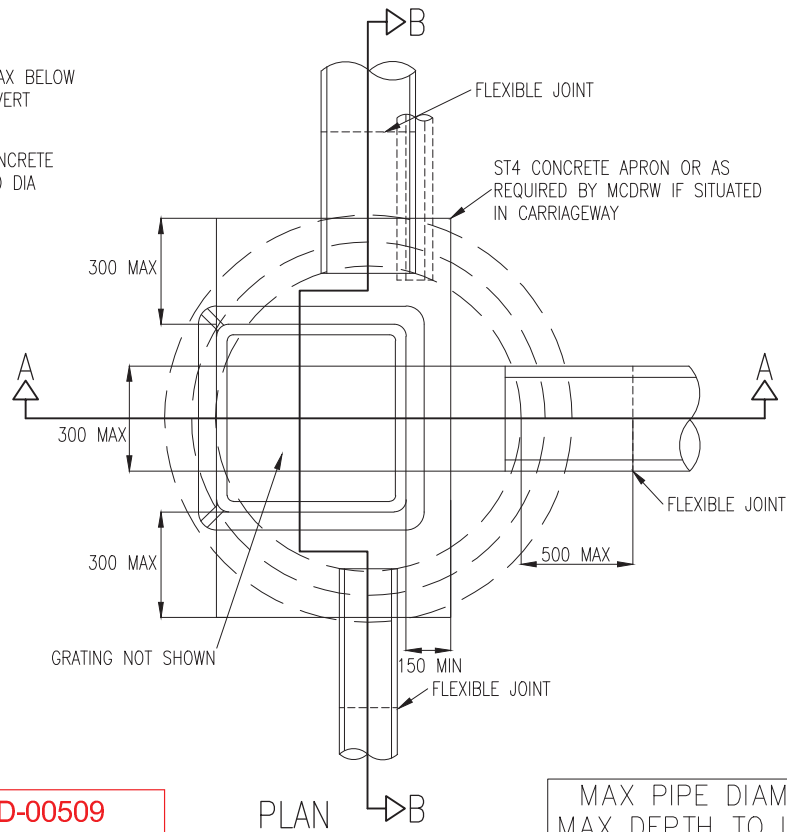


SECTION A-A



SECTION B-B



PLAN

NOTES:

1. ALL DIMENSIONS ARE IN MILLIMETRES.
2. CATCHPIT TO BE CONSTRUCTED IN PRECAST CONCRETE TO IS EN 1917 AND BS 5911-3.
3. INVERT DETAILS, NUMBER OF BRANCHES AND TYPE OF GULLY TOP ARE SHOWN ON THE DRAWINGS AND APPENDIX 5/1.
4. MORTAR TO BE TO CLAUSE 507.13.
5. PIPES TO BE BUILT INTO THE CATCHPIT WITH MORTAR ARE SHOWN ON THE DRAWINGS AND APPENDIX 5/1.
6. PIPE TO BE BUILT INTO CATCHPIT DRAIN LOWER PORTION OF TRENCH. PIPE IS TO BE PLACED ABOVE ANY CONCRETE BED TO FILTER DRAIN.
7. THE GULLY TOP IS TO BE SET AS DIMENSIONED BELOW THE ADJACENT:
 - a. HARD SHOULDER (FOR VERGES)
 - b. HARD STRIP (FOR DUAL 2 CENTRAL RESERVE)
 - c. FINISHED LEVEL IN OTHER LOCATIONS.
8. SEE MCDRW, SUB-CLAUSE 507.6 REGARDING BACKFILLING/SURROUND TO CHAMBER.
9. ALL ST CONCRETE SHALL BE TO MCDRW CLAUSE 2602.
10. ALTERNATIVE BLOCKWORK CATCHPIT SHALL HAVE 900X700 INTERNAL DIMENSIONS WITH A MIN 225 WALL THICKNESS AND TO BE CONSTRUCTED IN 21N CONCRETE BLOCKS TO I.S. 20, COLOURED BLACK, WITH DESIGNATION 1 MORTAR AND TO SERIES 2400 OR IN-SITU MIX. ST4 CONCRETE OR PRECAST CONCRETE TO IS EN 1917 & BS 5911-3.

NOT TO SCALE

TII PUBLICATION NUMBER: CC-SCD-00509

MAX PIPE DIAMETER 450
MAX DEPTH TO INVERT 1.8m

P5	03/15
P4	04/11
P3	01/09
Issue	Date