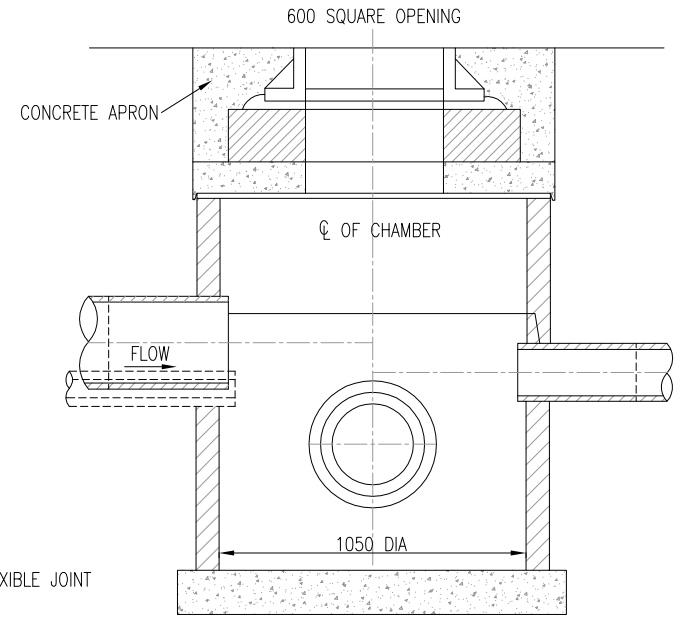
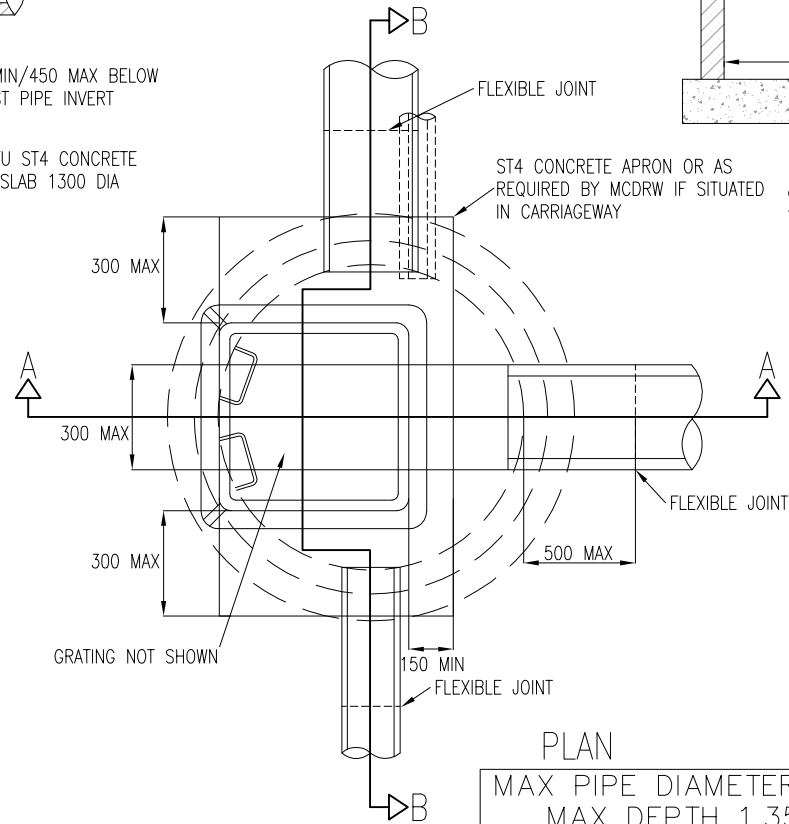


SECTION A-A



SECTION B-B



PLAN

MAX PIPE DIAMETER 450  
MAX DEPTH 1.35m

NOTES:

1. ALL DIMENSIONS ARE IN MILLIMETRES.
2. CATCHPIT TO BE CONSTRUCTED IN PRECAST CONCRETE TO IS EN 1917 AND BS 5911-3.
3. INVERT DETAILS, NUMBER OF BRANCHES AND TYPE OF GULLEY TOP ARE SHOWN ON THE DRAWINGS AND APPENDIX 5/1.
4. MORTAR TO BE TO CLAUSE 507.17.
5. PIPES TO BE BUILT INTO THE CATCHPIT WITH MORTAR ARE SHOWN ON THE DRAWINGS AND APPENDIX 5/1.
6. PIPE TO BE BUILT INTO CATCHPIT DRAIN LOWER PORTION OF TRENCH. PIPE IS TO BE PLACED ABOVE ANY CONCRETE BED TO FILTER DRAIN.
7. THE GULLY TOP IS TO BE SET AS DIMENSIONED BELOW THE ADJACENT:
  - a. HARD SHOULDER (FOR VERGES)
  - b. HARD STRIP (FOR DUAL 2 CENTRAL RESERVE)
  - c. FINISHED LEVEL IN OTHER LOCATIONS.
8. SEE MCDRW, SUB-CLAUSE 507.8 REGARDING BACKFILLING/SURROUND TO CHAMBER.
9. ALL ST CONCRETE SHALL BE TO MCDRW CLAUSE 2602.

NOT TO SCALE

P3	02/12
P2	04/11
P1	01/09
Issue	Date