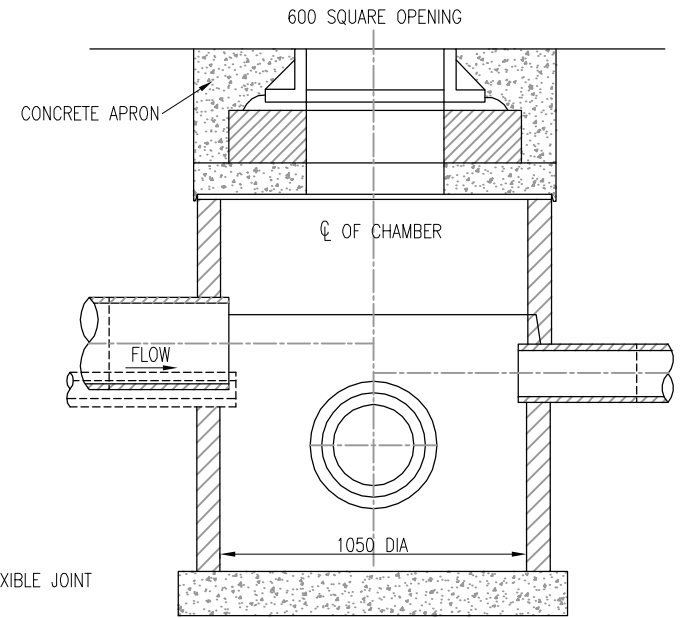
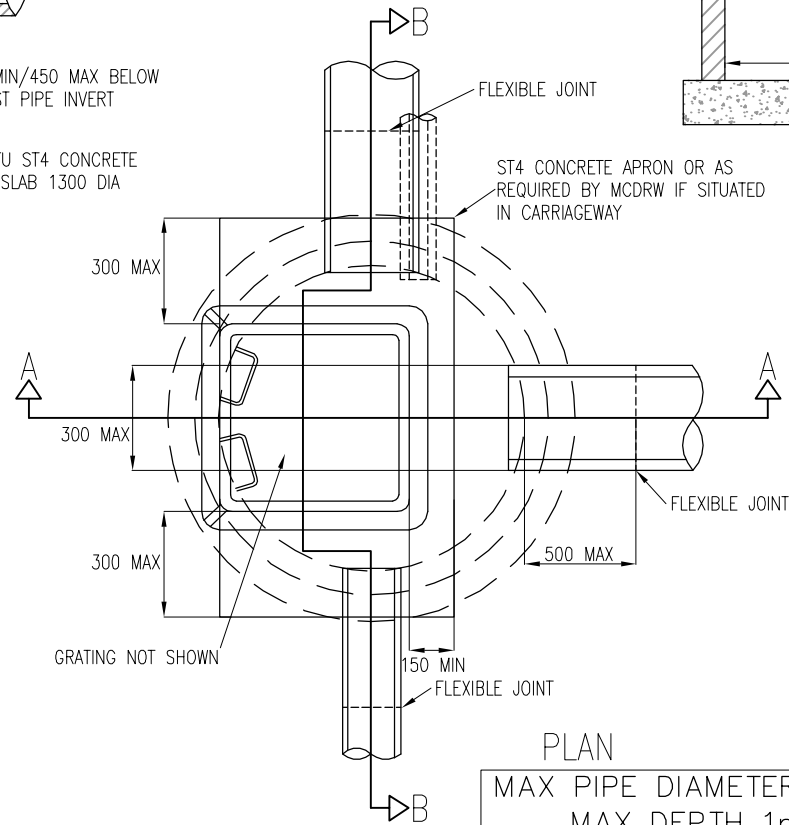


SECTION A-A

SINGLE OR DOUBLE MANHOLE STEPS (SINGLE SHOWN) AT 250 OR 300 C/C VERTICALLY, TO MCDRW SUB-CLAUSE 507.7. WHERE DOUBLE STEPS ARE INSTALLED, THESE SHALL BE INSTALLED IN A SINGLE ALIGNMENT WITH OTHER SUCH STEPS.



SECTION B-B



PLAN

MAX PIPE DIAMETER 450
MAX DEPTH 1m

NOTES:

1. ALL DIMENSIONS ARE IN MILLIMETRES.
2. CATCHPIT TO BE CONSTRUCTED IN PRECAST CONCRETE TO IS EN 1917 AND BS 5911-3.
3. INVERT DETAILS, NUMBER OF BRANCHES AND TYPE OF GULLEY TOP ARE SHOWN ON THE DRAWINGS AND APPENDIX 5/1.
4. MORTAR TO BE DESIGNATION (i) TO MCDRW SERIES 2400.
5. PIPES TO BE BUILT INTO THE CATCHPIT WITH DESIGNATION (i) MORTAR ARE SHOWN ON THE DRAWINGS AND APPENDIX 5/1.
6. PIPE TO BE BUILT INTO CATCHPIT DRAIN LOWER PORTION OF TRENCH. PIPE IS TO BE PLACED ABOVE ANY CONCRETE BED TO FILTER DRAIN.
7. THE GULLY TOP IS TO BE SET AS DIMENSIONED BELOW THE ADJACENT:
 - a. HARD SHOULDER (FOR VERGES)
 - b. HARD STRIP (FOR DUAL 2 CENTRAL RESERVE)
 - c. FINISHED LEVEL IN OTHER LOCATIONS.
8. SEE MCDRW, SUB-CLAUSE 507.8 REGARDING BACKFILLING/SURROUND TO CHAMBER.
9. ALL ST CONCRETE SHALL BE TO MCDRW CLAUSE 2602.

NOT TO SCALE