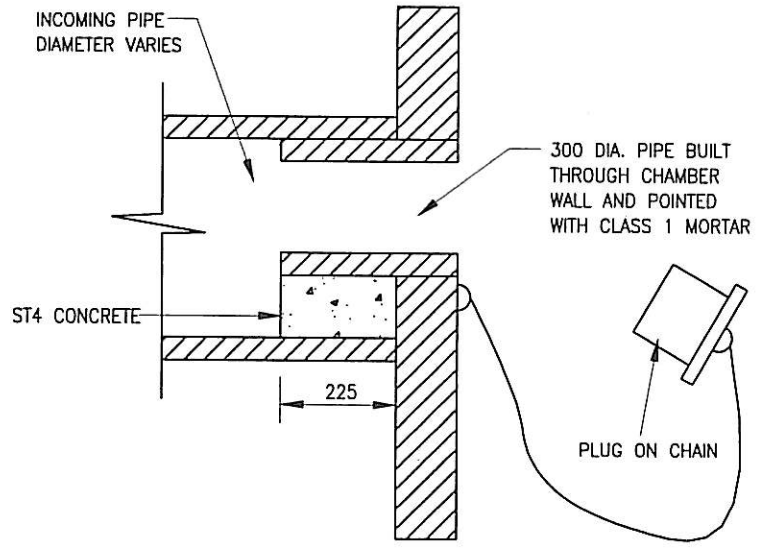


SECTION THROUGH MANHOLE



DETAIL A
(FOR INCOMING PIPES EXCEEDING 300 DIAMETER)

INCOMING PIPE DIA mm	BACK DROP PIPE DIA mm
150	150
225	225
300 - 450	300
525 - 675	450
750 - 900	600
1050 - 1200	750

- NOTES:
1. ALL DIMENSIONS ARE IN MILLIMETERS.
 2. MANHOLE TO RCD/500/7, RCD/500/8 OR RCD/500/9 ACCORDING TO MANHOLE DEPTH