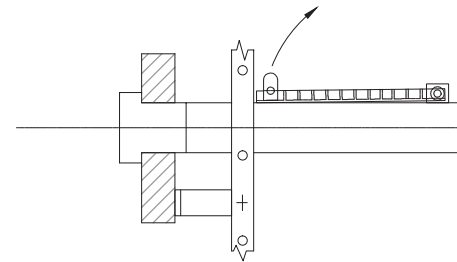


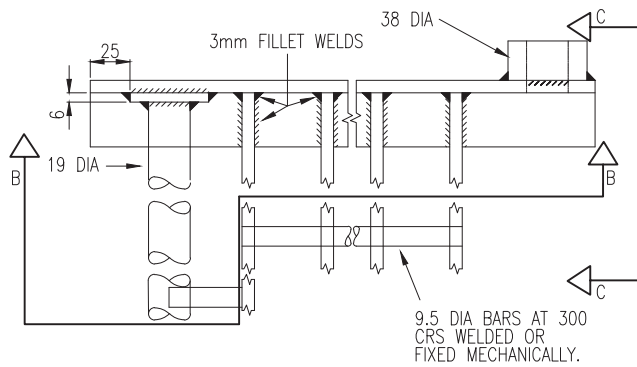
DETAILS OF SWIVEL PIN BRACKET  
(SECURED TO PLATFORM WITH 16 DIA BOLT)



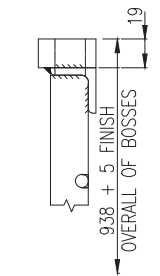
SECTION A-A

NOTES:

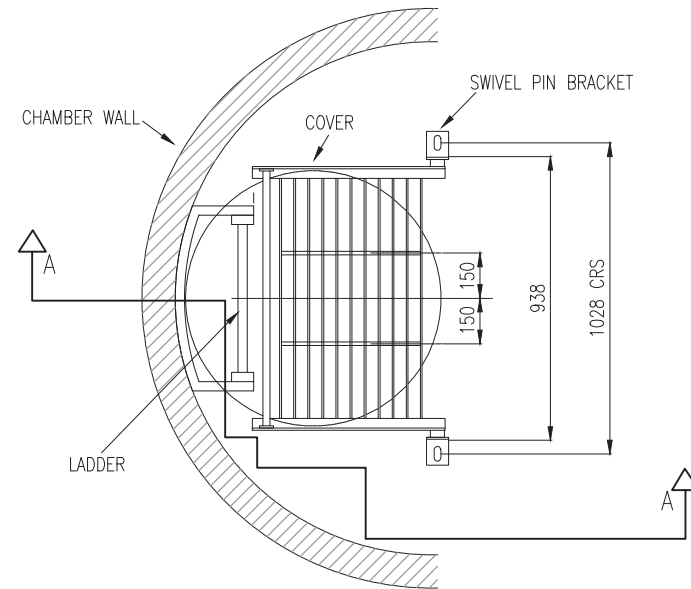
1. ALL DIMENSIONS ARE IN MILLIMETRES.
2. ALL WELDS ARE TO BE 6mm FILLET WELDS EXCEPT WHERE STATED OTHERWISE.
3. THE GRATINGS AND BRACKETS ARE TO BE FABRICATED FROM STEEL TO IS EN 10084 AND TO BE PROTECTED BY HOT DIP GALVANISING.



PART PLAN

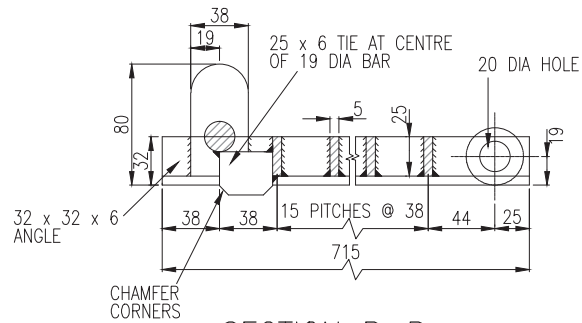


VIEW C-C



ASSEMBLY PLAN

(PLAN DETAIL ON GRATING  
POSITIONED ON LANDING SLAB.)



SECTION B-B

NOT TO SCALE

TII PUBLICATION NUMBER: CC-SCD-00507