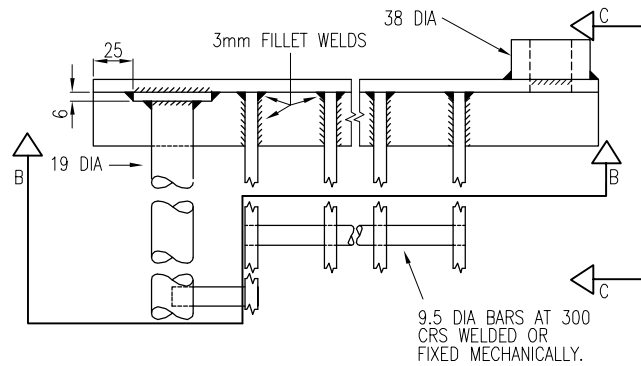
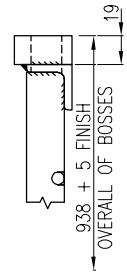


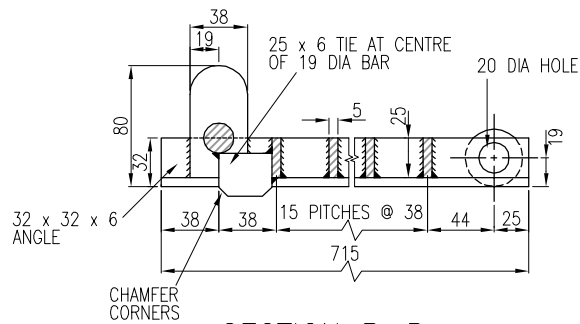
DETAILS OF SWIVEL PIN BRACKET
(SECURED TO PLATFORM WITH 16 DIA BOLT)



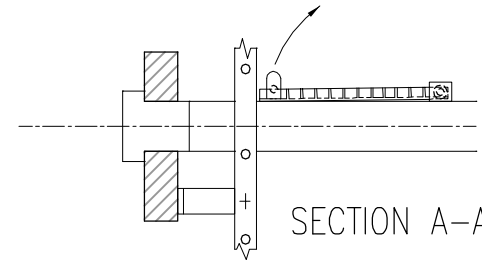
PART PLAN



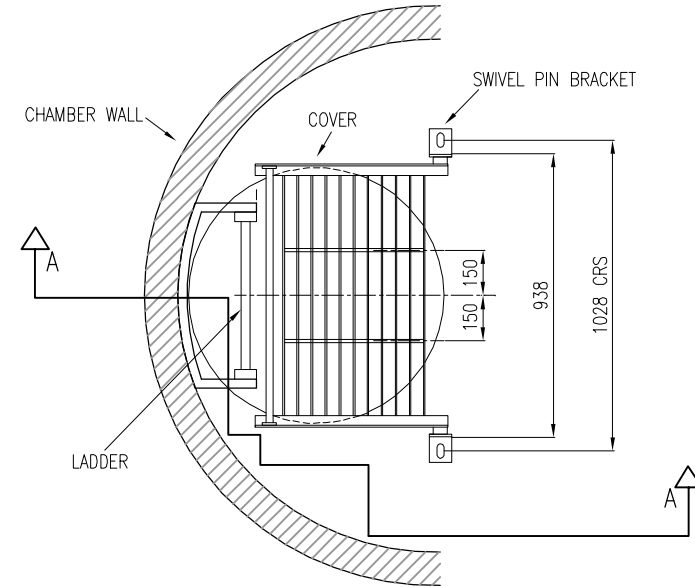
VIEW C-C



SECTION B-B



SECTION A-A



ASSEMBLY PLAN
(PLAN DETAIL ON GRATING
POSITIONED ON LANDING SLAB.)

NOTES:

1. ALL DIMENSIONS ARE IN MILLIMETRES EXCEPT WHERE STATED.
2. ALL WELDS ARE TO BE 6mm FILLET WELDS EXCEPT WHERE STATED OTHERWISE.
3. THE GRATINGS AND BRACKETS ARE TO BE FABRICATED FROM STEEL TO IS EN 10084 AND TO BE PROTECTED BY HOT DIP GALVANISING.

NOT TO SCALE