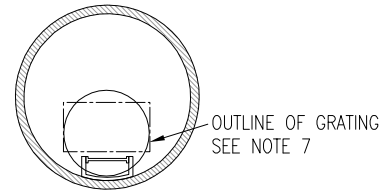
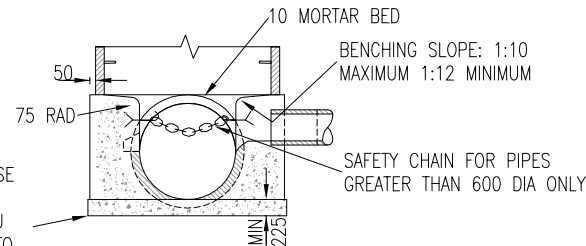


SECTION X-X

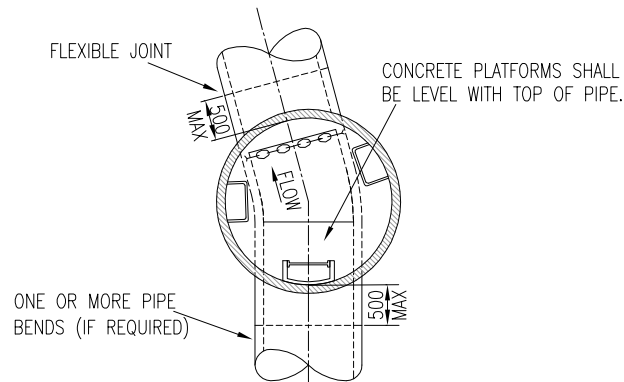
INTEGRAL IN SITU MIX ST4 CONCRETE BASE WALLS, BENCHING & BASE SLAB WITH PRECAST CHANNEL AS SHOWN OR IN SITU FORMED INVERT AS ALTERNATIVE. WALLS TO EXTEND 50 BEYOND OUTER FACE OF CHAMBER RING.



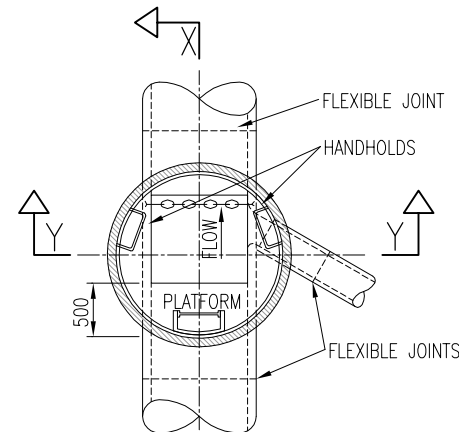
PLAN ON LANDING



SECTION Y-Y



PLAN ON CURVED INVERT  
(UNDER LANDING SLAB)



PLAN ON STRAIGHT INVERT  
(UNDER LANDING SLAB)

NOTES:

1. ALL DIMENSIONS ARE IN MILLIMETRES EXCEPT WHERE STATED.
2. CHAMBER WALLS, COVER SLAB AND LANDING SLAB TO BE CONSTRUCTED IN PRECAST CONCRETE TO BS 5911-3 AND IS EN 1917.
3. FOR INVERT DETAILS, NUMBERS OF BRANCHES, DETAILS OF PIPES AND TYPE OF COVER AND FRAME SEE THE DRAINAGE SCHEDULE.
4. MORTAR TO BE TO CLAUSE 507.17.
5. SAFETY CHAIN REQUIRED WHERE PIPE IS GREATER THAN 600 DIAMETER. FOR DETAILS OF SAFETY CHAIN, HANDHOLD AND LADDER SEE DRAWING No RCD/500/11.
6. FOR DETAILS OF HINGED GRATING SEE DRAWING No RCD/500/10.
7. TOE HOLD REQUIRED WHERE PIPE IS 525 DIAMETER OR GREATER SEE DRAWING No RCD/500/11.
8. MANHOLE OPENING TO BE FURTHEST FROM THE NEAREST CARRIAGEWAY AND LADDER POSITIONED TO ALLOW VIEWING OF ONCOMING TRAFFIC.

NOT TO SCALE

P4	04/11
P3	01/09
P2	10/07
Issue	Date