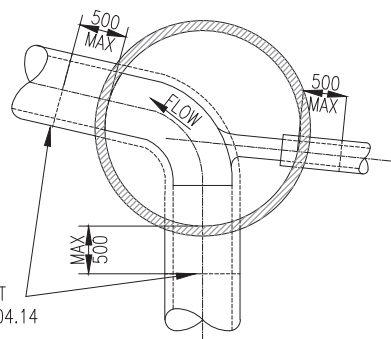
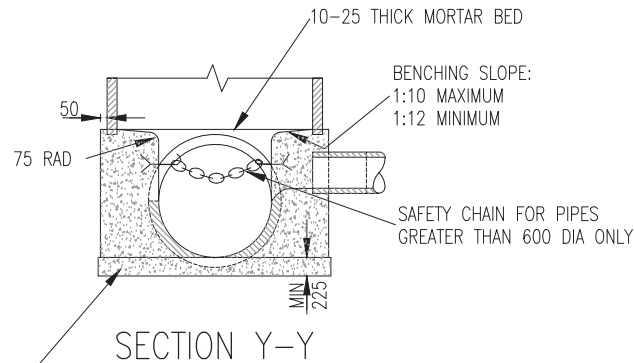


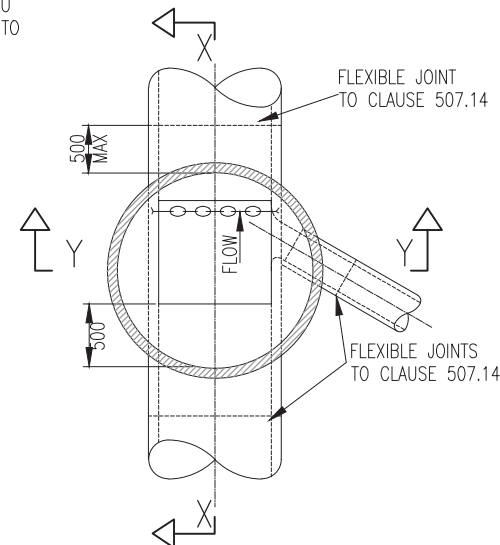
SECTION X-X



PLAN ON ANGLED INVERT
(BELOW REDUCING SLAB)



SECTION Y-Y



PLAN ON STRAIGHT INVERT
(BELOW REDUCING SLAB)

NOTES:

1. ALL DIMENSIONS ARE IN MILLIMETRES.
2. CHAMBER WALLS AND COVER SLAB TO BE CONSTRUCTED IN PRECAST CONCRETE TO BS 5911-3 AND IS EN 1917.
3. FOR INVERT DETAILS, NUMBER OF BRANCHES, DETAILS OF PIPES AND TYPE OF COVER AND FRAME SEE APPENDIX 5/1.
4. MORTAR TO BE TO CLAUSE 507.13
5. SAFETY CHAIN REQUIRED WHERE PIPE IS GREATER THAN 600mm DIAMETER. SEE DRAWING No RCD/500/13 FOR DETAILS OF SAFETY CHAIN AND HANDHOLDS.
6. MANHOLE COVER ARRANGEMENT IN CARRIAGEWAYS TO BE IN ACCORDANCE WITH RCD/500/14.
7. FLEXIBLE JOINTS TO BE IN ACCORDANCE WITH CLAUSE 507.14 AND RCD/500/14.

NOT TO SCALE



ROAD CONSTRUCTION
DETAILS

DRAINAGE

P5	03/15
P4	04/11
P3	01/09
Issue	Date

CHAMBER TYPE D
(PRECAST CONCRETE MANHOLE)

Drawing No.

RCD/
500/5

TII PUBLICATION NUMBER: CC-SCD-00505