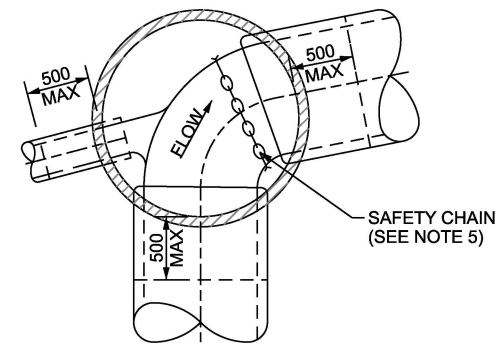
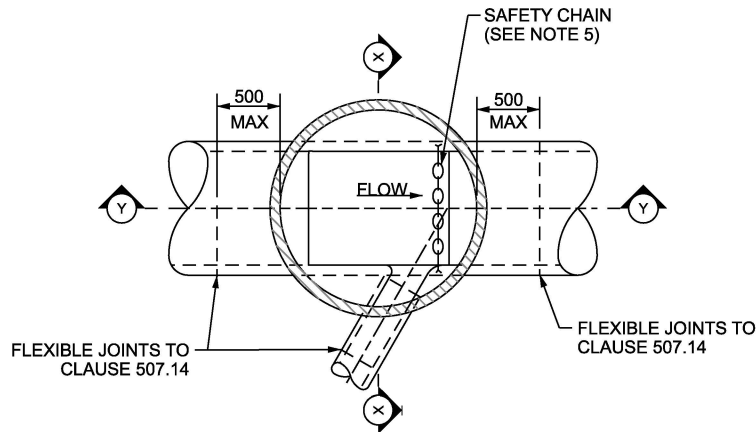


- NOTES :
1. ALL DIMENSIONS ARE IN MILLIMETRES.
  2. CHAMBER WALLS AND COVER SLAB TO BE CONSTRUCTED IN PRECAST CONCRETE TO BS 5911-3 IS EN 1917 AND IS 420.
  3. FOR INVERT DETAILS, NUMBER OF BRANCHES, DETAILS OF PIPES AND TYPE OF COVER AND FRAME, SEE APPENDIX 5/1.
  4. MORTAR TO BE IN ACCORDANCE WITH CC-SPW-00500 CLAUSE 507.13.
  5. SAFETY CHAIN REQUIRED WHERE PIPE IS GREATER THAN 600mm DIAMETER. SEE CC-SCD-00513 FOR DETAILS OF SAFETY CHAIN AND TOEHOLDS.
  6. MANHOLE COVER ARRANGEMENT IN PAVED AREAS TO BE IN ACCORDANCE WITH CC-SCD-00514.
  7. FLEXIBLE JOINTS TO BE IN ACCORDANCE WITH CLAUSE 507.14 AND CC-SCD-00514.
  8. PERMITTED CLEAR ACCESS FOR OPENINGS IN ACCORDANCE WITH CLAUSE 507.9.
  9. BACKFILLING SURROUND TO CHAMBER IN ACCORDANCE WITH CC-SPW-00500 CLAUSE 507.6.



NOT TO SCALE



PUBLICATION TITLE  
DRAINAGE CHAMBER TYPE C  
(PRECAST CONCRETE MANHOLE)

STREAM  
STANDARD CONSTRUCTION DETAILS (SCD)

HISTORICAL REFERENCE

RCD/500/4

DOCUMENTATION SET

STANDARDS

PUBLICATION DATE

FEBRUARY 2024

PUBLICATION NUMBER

ACTIVITY	STREAM	DRAWING NUMBER
CC	SCD	00504