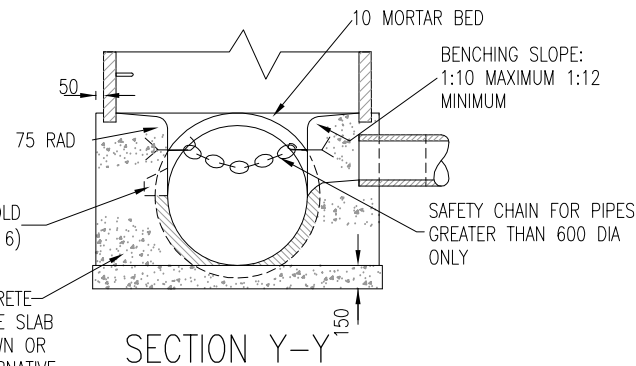
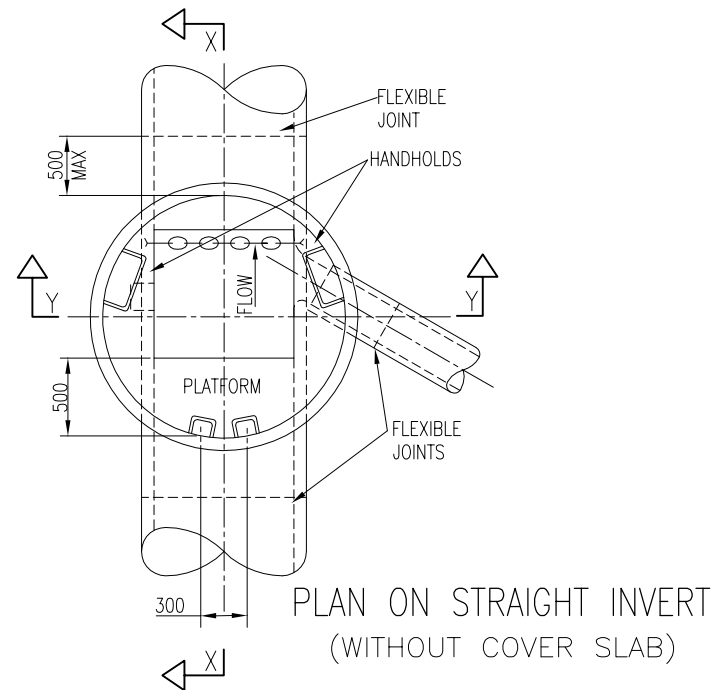
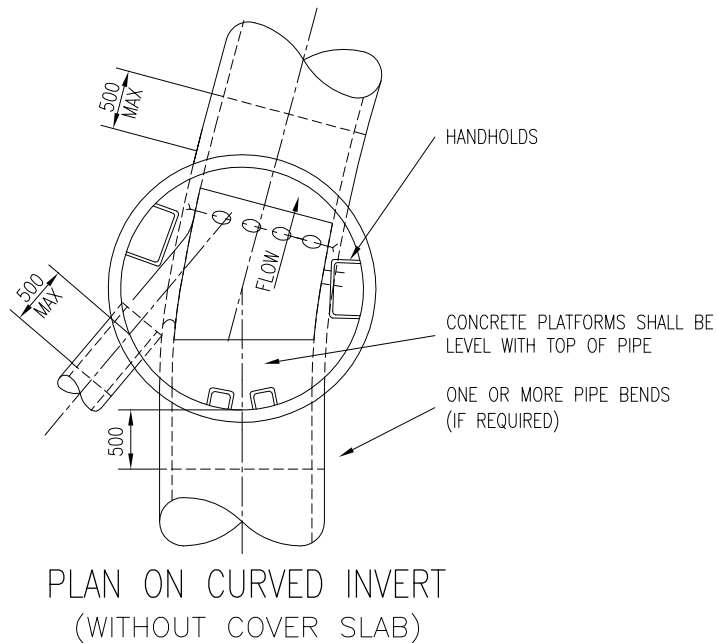


INTEGRAL IN-SITU MIX ST4 CONCRETE—BASE WALLS, BENCHING AND BASE SLAB WITH PRECAST CHANNEL AS SHOWN OR IN-SITU FORMED INVERT AS ALTERNATIVE. WALLS TO EXTEND 50mm BEYOND OUTER FACES OF CHAMBER RING.



NOTES:

1. ALL DIMENSIONS ARE IN MILLIMETRES EXCEPT WHERE STATED.
2. CHAMBER WALLS AND COVER SLAB TO BE CONSTRUCTED IN PRECAST CONCRETE TO BS 5911-3 AND IS EN 1917.
3. FOR INVERT DETAILS, NUMBER OF BRANCHES, DETAILS OF PIPES AND TYPE OF COVER AND FRAME SEE THE DRAINAGE SCHEDULE.
4. MORTAR TO BE TO CLAUSE 507.17.
5. SAFETY CHAIN REQUIRED WHERE PIPE IS GREATER THAN 600 DIAMETER. SEE DRAWING No RCD/500/11 FOR DETAILS OF SAFETY CHAIN AND HANDHOLDS.
6. TOE HOLD REQUIRED WHERE PIPE IS 525 DIAMETER OR GREATER. SEE DRAWING o RCD/500/11 FOR DETAILS.
7. MANHOLE OPENING TO BE FURTHEST FROM THE NEAREST CARRIAGEWAY AND MANHOLE STEPS POSITIONED TO ALLOW VIEWING OF ONCOMING TRAFFIC.
8. CATCHPIT G AS DRAWING No RCD/500/12 MAY BE USED AS AN ALTERNATIVE ON SURFACE WATER SEWERS UP TO 1800mm DEEP TO INVERT.



NOT TO SCALE