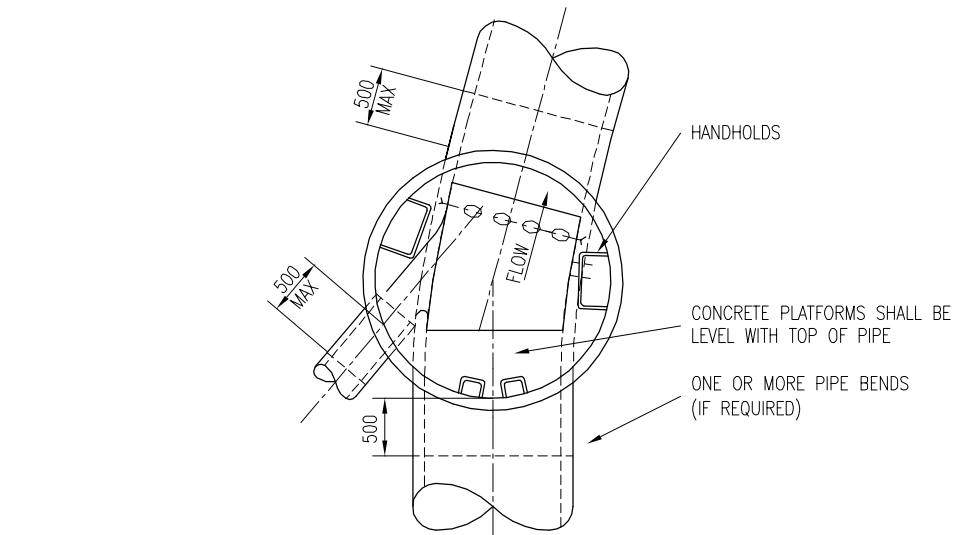
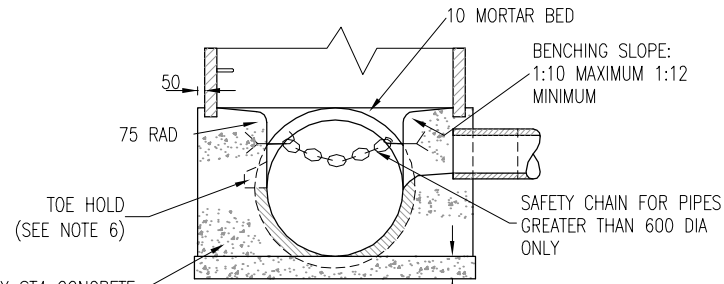


SECTION X-X

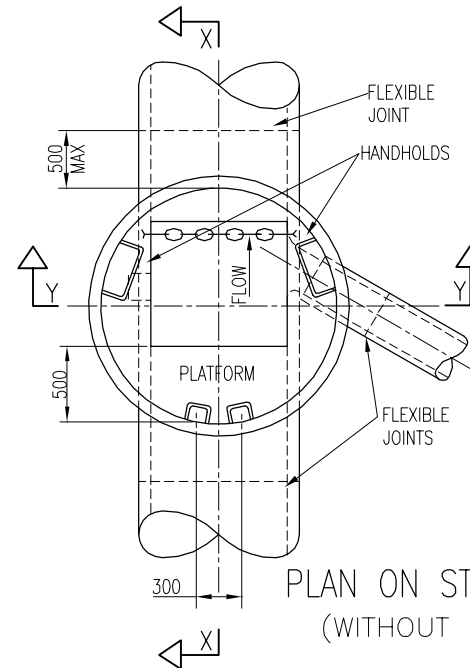


PLAN ON CURVED INVERT  
(WITHOUT COVER SLAB)



SECTION Y-Y

INTEGRAL IN-SITU MIX ST4 CONCRETE—  
BASE WALLS, BENCHING AND BASE SLAB  
WITH PRECAST CHANNEL AS SHOWN OR  
IN-SITU FORMED INVERT AS ALTERNATIVE.  
WALLS TO EXTEND 50mm BEYOND OUTER  
FACES OF CHAMBER RING.



PLAN ON STRAIGHT INVERT  
(WITHOUT COVER SLAB)

NOTES:

1. ALL DIMENSIONS ARE IN MILLIMETRES EXCEPT WHERE STATED.
2. CHAMBER WALLS AND COVER SLAB TO BE CONSTRUCTED IN PRECAST CONCRETE TO BS 5911-3 AND IS EN 1917.
3. FOR INVERT DETAILS, NUMBER OF BRANCHES, DETAILS OF PIPES AND TYPE OF COVER AND FRAME SEE THE DRAINAGE SCHEDULE.
4. MORTAR TO BE DESIGNATION (I) TO SERIES 2400.
5. SAFETY CHAIN REQUIRED WHERE PIPE IS GREATER THAN 600 DIAMETER. SEE DRAWING No RCD/500/11 FOR DETAILS OF SAFETY CHAIN AND HANDHOLDS.
6. TOE HOLD REQUIRED WHERE PIPE IS 525 DIAMETER OR GREATER. SEE DRAWING No RCD/500/11 FOR DETAILS.
7. MANHOLE OPENING TO BE FURTHEST FROM THE NEAREST CARRIAGEWAY AND MANHOLE STEPS POSITIONED TO ALLOW VIEWING OF ONCOMING TRAFFIC.
8. CATCHPIT C AS DRAWING No RCD/500/12 MAY BE USED AS AN ALTERNATIVE ON SURFACE WATER SEWERS UP TO 1800mm DEEP TO INVERT.

NOT TO SCALE