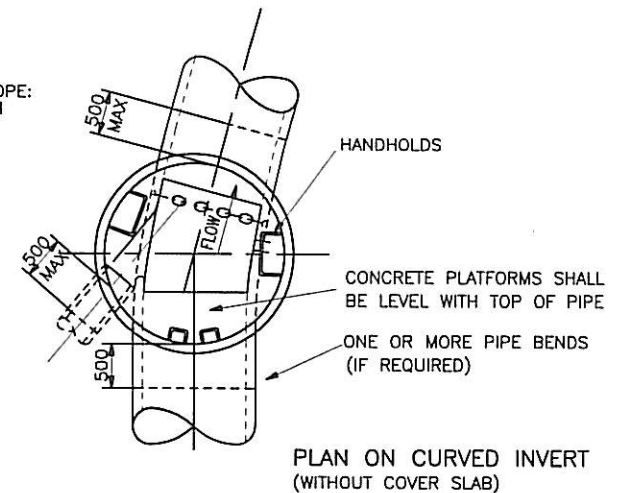
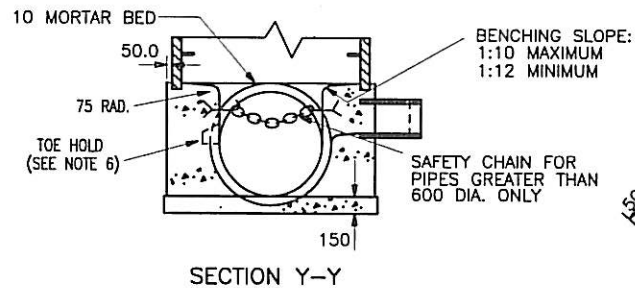
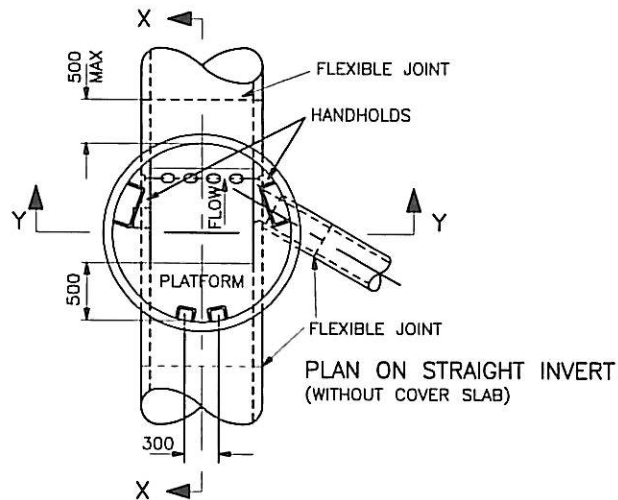


INTEGRAL IN-SITU MIX ST4 CONCRETE BASE WALLS, BENCHING AND BASE SLAB WITH PRECAST CHANNEL AS SHOWN OR IN-SITU FORMED INVERT AS ALTERNATIVE. WALLS TO EXTEND 50mm BEYOND OUTER FACES OF CHAMBER RING.



NOTES

1. ALL DIMENSIONS ARE IN MILLIMETRES.
2. CHAMBER WALLS AND COVER SLAB TO BE CONSTRUCTED IN PRECAST CONCRETE TO BS 5911 : PART 200.
3. FOR INVERT DETAILS, NUMBER OF BRANCHES, DETAILS OF PIPES AND TYPE OF COVER AND FRAME SEE THE DRAINAGE SCHEDULE.
4. MORTAR TO BE DESIGNATION (I) TO SERIES 2400.
5. SAFETY CHAIN REQUIRED WHERE PIPE IS GREATER THAN 600 DIAMETER. SEE RCD/500/11 FOR DETAILS OF SAFETY CHAIN AND HANDHOLDS.
6. TOE HOLD REQUIRED WHERE PIPE IS 525 DIAMETER OR GREATER. SEE RCD/500/11 FOR DETAILS.
7. MANHOLE OPENING TO BE FURTHEST FROM THE NEAREST CARRIAGEWAY AND MANHOLE STEPS POSITIONED TO ALLOW VIEWING OF ONCOMING TRAFFIC.
8. CHAMBERS ON FOUL SEWERS TO BE PLASTERED.