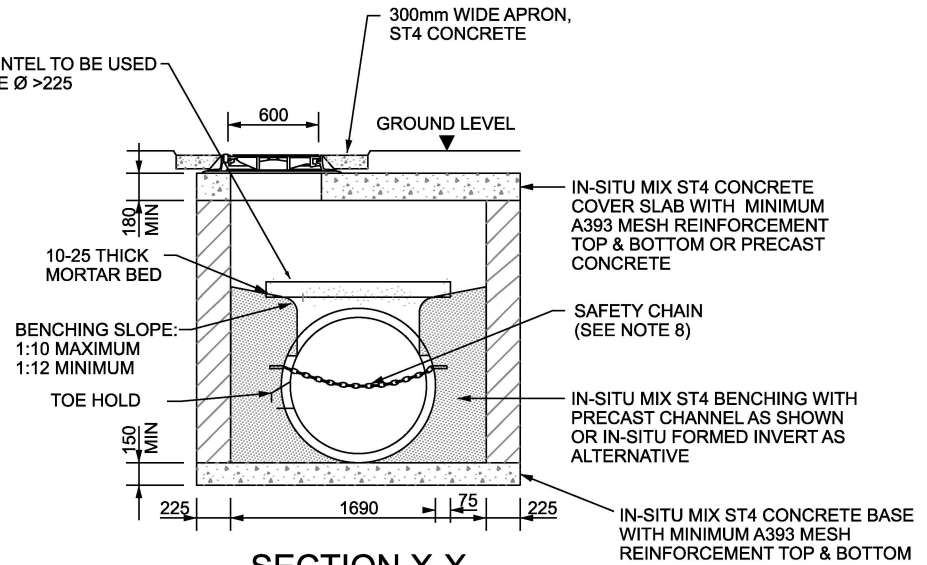
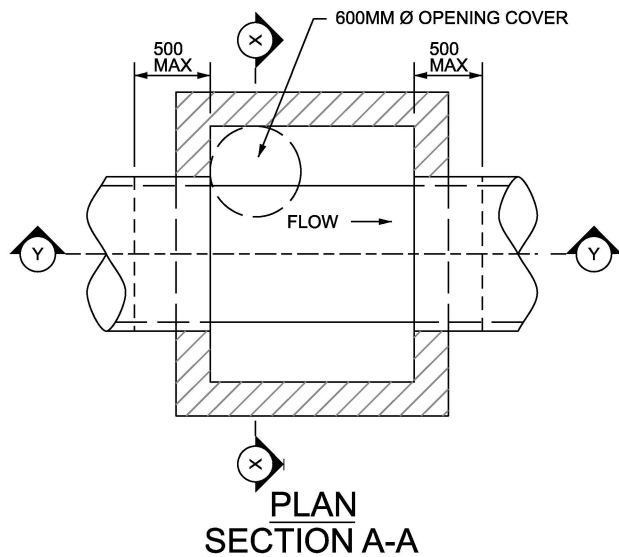


**SECTION Y-Y**

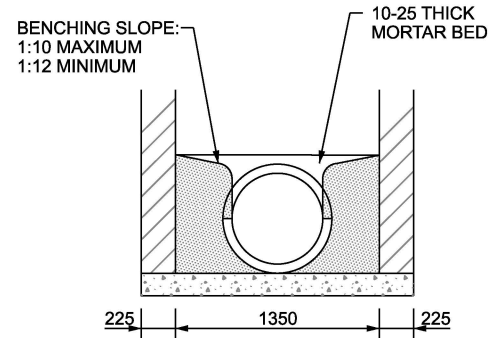


**SECTION X-X**



**PLAN SECTION A-A**

**PART SECTION SHOWING BENCHING (FOR PIPES LESS THAN 600mm DIAMETER)**



**NOTES:**

1. ALL DIMENSIONS ARE IN MILLIMETRES.
2. MANHOLES TO BE CONSTRUCTED IN CONCRETE BLOCKS TO IS EN 771-3 (GROUP 1 18N/mm<sup>2</sup>) AND IN ACCORDANCE WITH CC-SPW-02400 OR IN-SITU MIX ST4 CONCRETE IN ACCORDANCE WITH CC-SPW-02600.
3. FOR INVERT DETAILS, NUMBER OF BRANCHES, DETAILS OF PIPES, TYPE OF COVER AND FRAME, SEE APPENDIX 5/1.
4. DIMENSIONS OF CHAMBER VARY ACCORDING TO PIPE SIZE. SEE CC-SCD-00501.
5. MANHOLE COVER ARRANGEMENT IN PAVED AREAS TO BE IN ACCORDANCE WITH CC-SCD-00514.
6. FLEXIBLE JOINTS TO BE IN ACCORDANCE WITH CLAUSE 507.14 AND CC-SCD-00514.
7. BACKFILLING SURROUND TO CHAMBER IN ACCORDANCE WITH CC-SPW-00500 CLAUSE 507.6.
8. FOR DETAILS OF SAFETY CHAIN AND TOE HOLD SEE CC-SCD-00513.

NOT TO SCALE



PUBLICATION TITLE  
DRAINAGE CHAMBER TYPE B  
(BLOCK OR IN-SITU CONCRETE MANHOLE)

ACTIVITY  
STANDARD CONSTRUCTION DETAILS (SCD)

HISTORICAL REFERENCE  
RCD/500/3

DOCUMENTATION SET  
STANDARDS

PUBLICATION DATE  
FEBRUARY 2024

PUBLICATION NUMBER  
ACTIVITY: CC  
STREAM: SCD  
DRAWING NUMBER: 00503