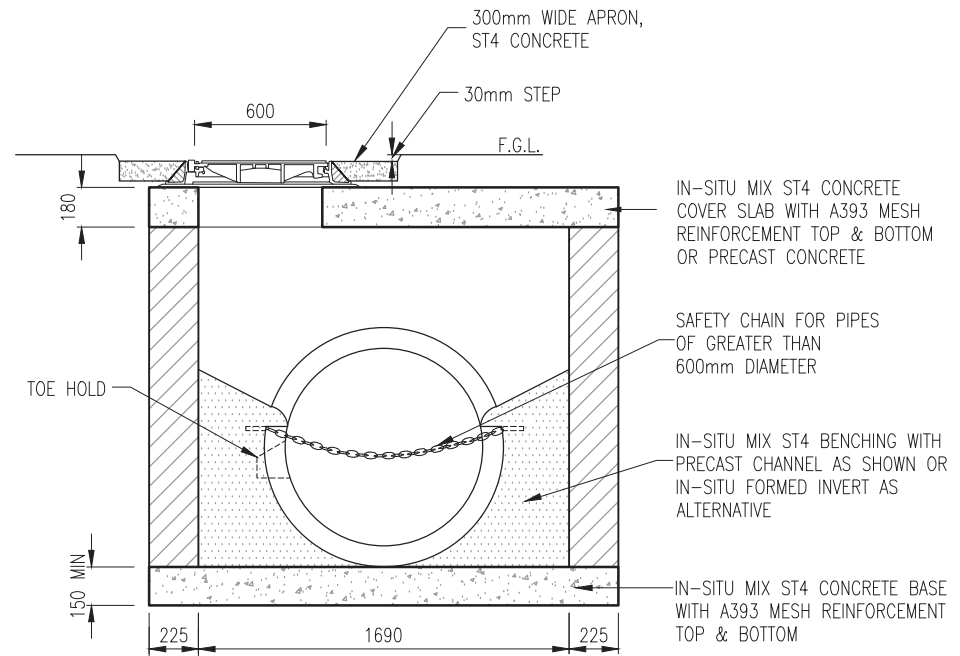
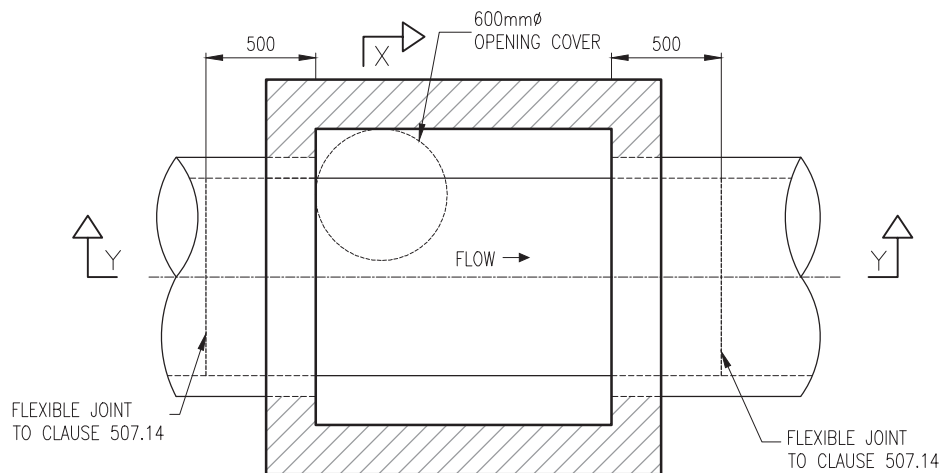


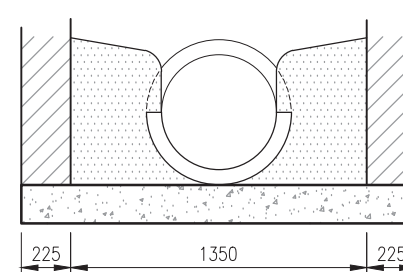
SECTION Y-Y



SECTION X-X



PLAN SECTION A-A



PART SECTION SHOWING BENCHING  
(FOR PIPES LESS THAN 600mm DIAMETER)

NOTES:

1. ALL DIMENSIONS ARE IN MILLIMETRES.
2. MANHOLES TO BE CONSTRUCTED IN 21N CONCRETE BLOCKS TO IS 20 COLOURED BLACK WITH MORTAR TO CLAUSE 507.13 OR IN-SITU MIX ST4 CONCRETE.
3. FOR INVERT DETAILS, NUMBER OF BRANCHES, DETAILS OF PIPES, TYPE OF COVER AND FRAME, SEE APPENDIX 5/1.
4. DIMENSIONS OF CHAMBER VARY ACCORDING TO PIPE SIZE SEE RCD/500/1.
5. MANHOLE COVER ARRANGEMENT IN CARRIAGEWAYS TO BE IN ACCORDANCE WITH RCD/500/14.
6. FLEXIBLE JOINTS TO BE IN ACCORDANCE WITH CLAUSE 507.14 AND RCD/500/14.

NOT TO SCALE

P5	03/15
P4	12/10
P3	01/09
Issue	Date