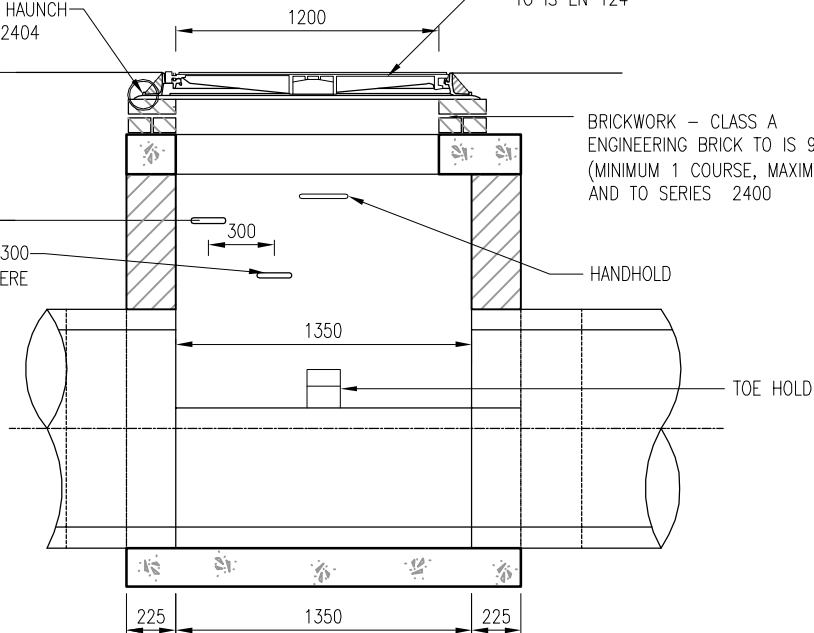


DESIGNATION 1 MORTAR BED  
(10 MIN 20 MAX) AND HAUNCH  
TO FRAME TO CLAUSE 2404

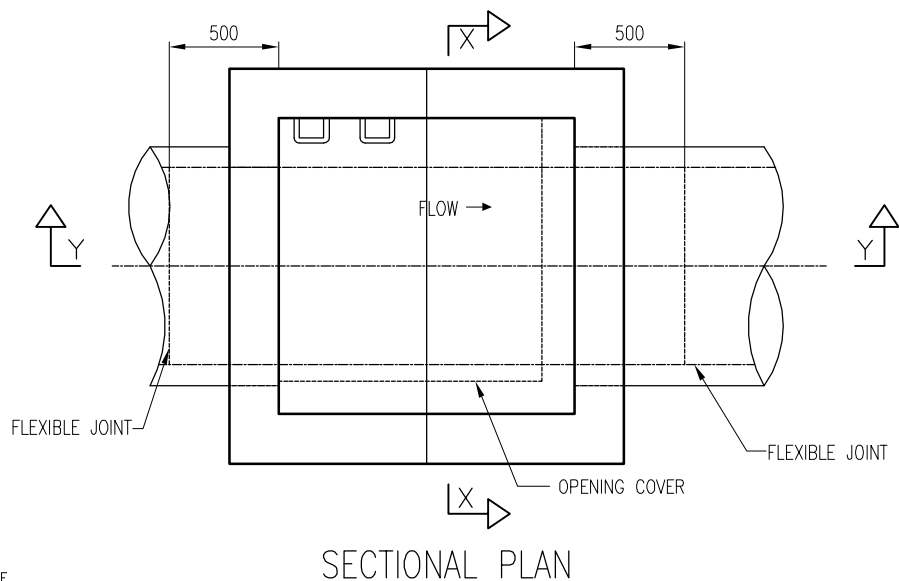
COVER AND FRAME  
TO IS EN 124

500 MAX

MANHOLE STEPS AT 300  
C/C VERTICALLY, WHERE  
DEPTH TO INVERT  
EXCEEDS 900mm



SECTION Y-Y



SECTIONAL PLAN

NOT TO SCALE

**NRA** NATIONAL  
ROADS  
AUTHORITY

ROAD CONSTRUCTION  
DETAILS

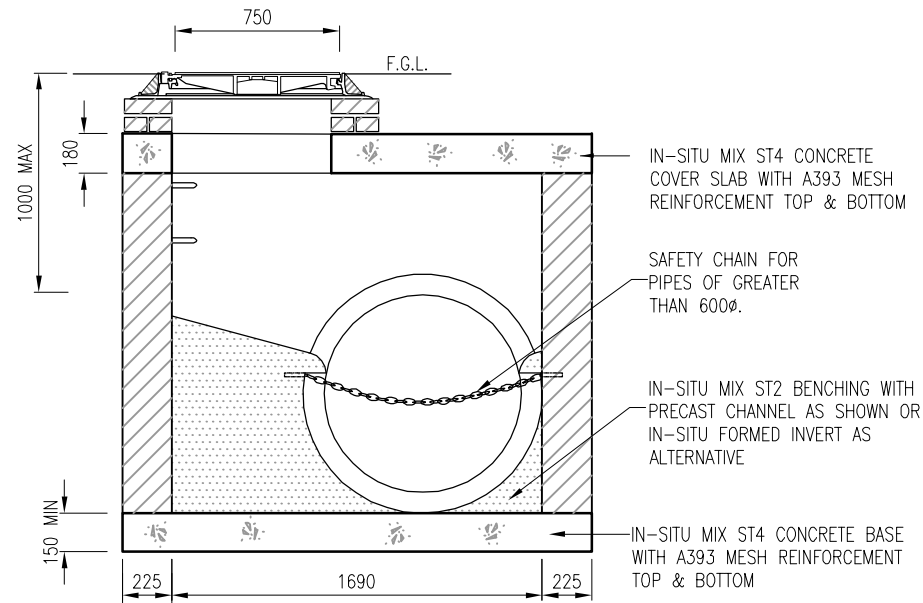
DRAINAGE

P3	01/09
P2	10/07
P1	03/00
Issue	Date

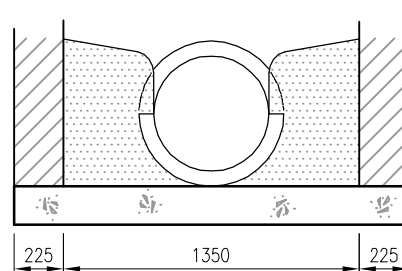
MANHOLE TYPE B  
(BLOCK OR IN SITU CONCRETE)

Drawing No.

RCD/  
500/5



SECTION X-X



PART SECTION SHOWING BENCHING  
(FOR PIPES LESS THAN 600 $\phi$ )

NOTES:

- ALL DIMENSIONS ARE IN MILLIMETRES EXCEPT WHERE STATED.
- MANHOLES TO BE CONSTRUCTED IN 21N CONCRETE BLOCKS TO IS 20 COLOURED BLACK WITH DESIGNATION 1 MORTAR TO SERIES 2400 OR IN-SITU MIX ST4 CONCRETE.
- FOR INVERT DETAILS, NUMBER OF BRANCHES, DETAILS OF PIPES, TYPE OF COVER AND FRAME, SEE THE DRAINAGE SCHEDULE.
- MANHOLE OPENING TO BE FURTHEST FROM THE NEAREST CARRIAGEWAY AND MANHOLE STEPS POSITIONED TO ALLOW VIEWING OF ONCOMING TRAFFIC.
- CHAMBERS ON FOUL SEWERS TO BE PLASTERED.
- DIMENSIONS OF CHAMBER VARY ACCORDING TO PIPE SIZE SEE RCD/500/3.