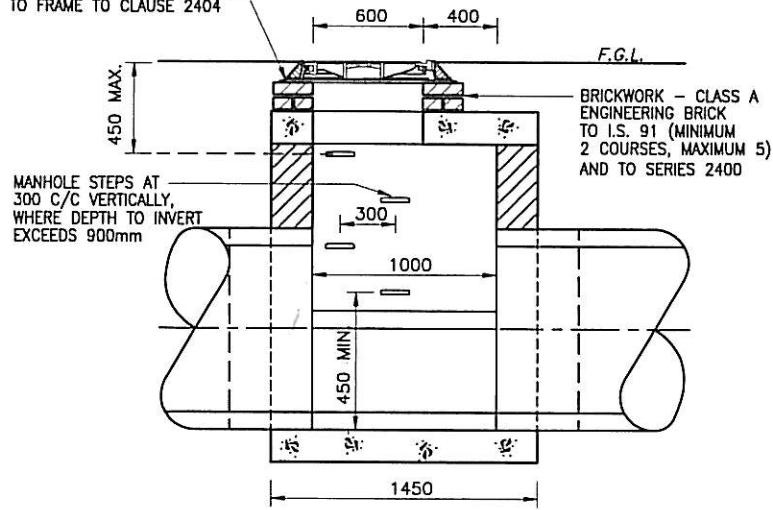
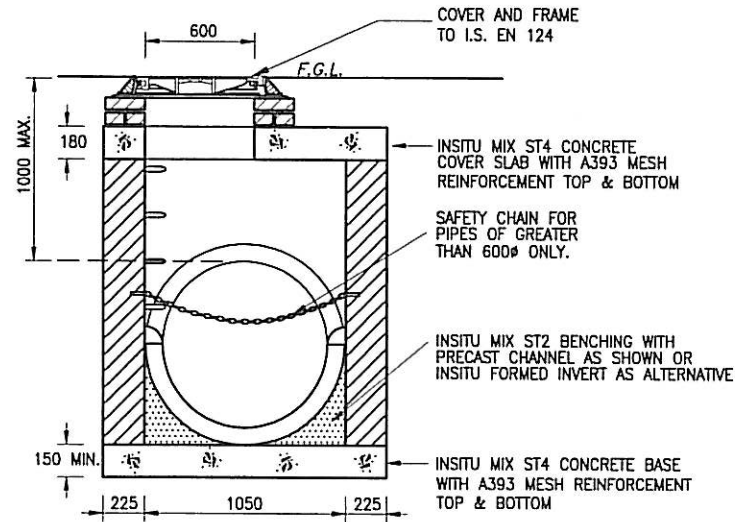


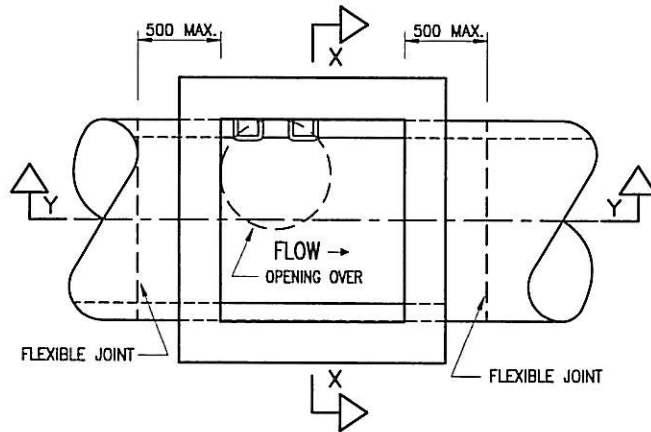
DESIGNATION 1 MORTAR BED
(10 MIN. 20 MAX.) AND HAUNCH
TO FRAME TO CLAUSE 2404



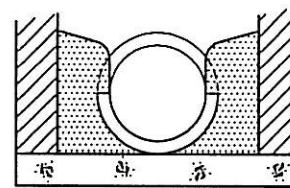
SECTION Y-Y



SECTION X-X



SECTIONAL PLAN



PART SECTION SHOWING BENCHING
(FOR PIPES LESS THAN 900 ϕ)

NOTES:

1. ALL DIMENSIONS ARE IN MILLIMETRES.
2. MANHOLES TO BE CONSTRUCTED IN 21N CONCRETE BLOCKS TO I.S. 20 COLOURED BLACK WITH DESIGNATION 1 MORTAR AND TO SERIES 2400 OR IN-SITU MIX ST4 CONCRETE.
3. FOR INVERT DETAILS, NUMBER OF BRANCHES, DETAILS OF PIPES, TYPE OF COVER AND FRAME, SEE THE DRAINAGE SCHEDULE.
4. MANHOLE OPENING TO BE FURTHEST FROM THE NEAREST CARRIAGEWAY AND MANHOLE STEPS POSITIONED TO ALLOW VIEWING OF ONCOMING TRAFFIC.
5. CHAMBERS ON FOUL SEWERS TO BE PLASTERED.