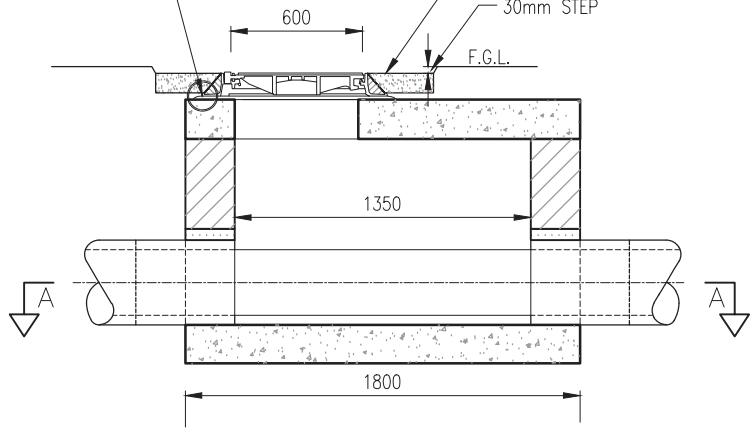


MORTAR BED (10 MIN 25 MAX) AND HAUNCH TO FRAME TO CLAUSE 507.13

300mm WIDE APRON, ST4 CONCRETE  
30mm STEP  
F.G.L.



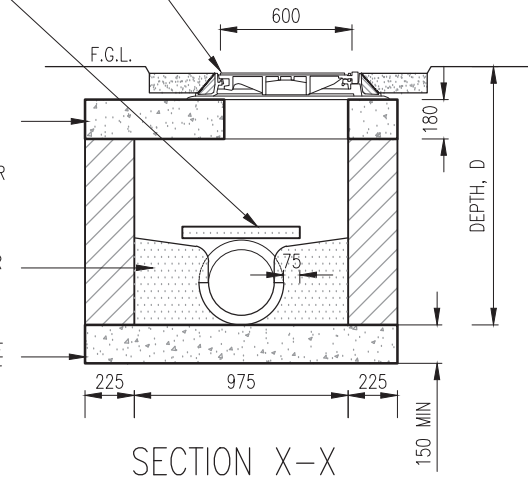
SECTION Y-Y

COVER AND FRAME TO IS EN 124  
PRECAST LINTEL TO BE USED WHERE PIPE  $\phi > 225$

IN-SITU MIX ST4 CONCRETE COVER SLAB WITH A393 MESH REINFORCEMENT TOP & BOTTOM OR PRECAST SLAB WITH CIRCULAR OPENING

IN-SITU MIX ST2 BENCHING WITH PRECAST CHANNEL AS SHOWN OR IN-SITU FORMED INVERT AS ALTERNATIVE

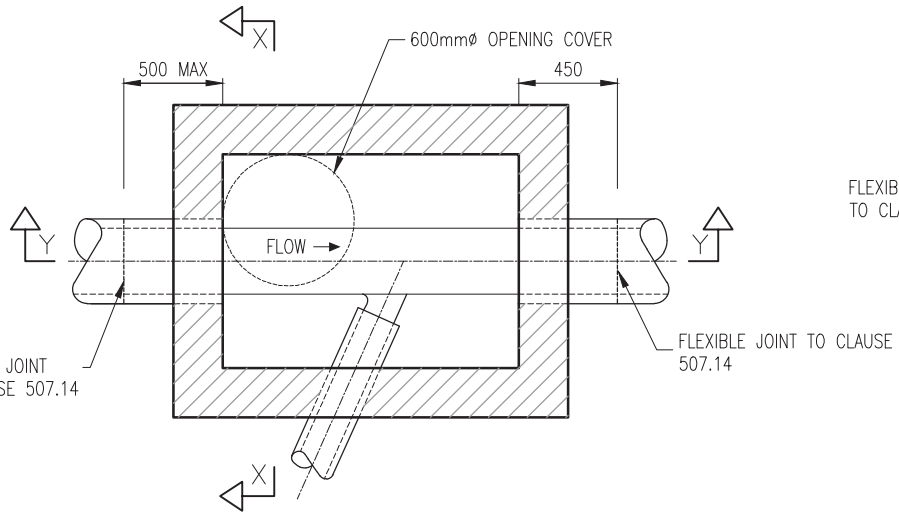
IN-SITU MIX ST4 CONCRETE BASE WITH A393 MESH REINFORCEMENT TOP & BOTTOM



SECTION X-X

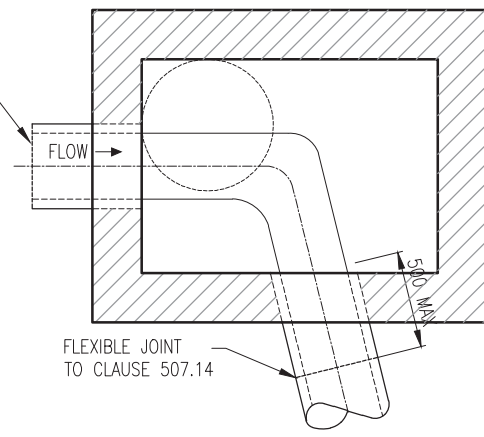
NOTES:

1. ALL DIMENSIONS ARE IN MILLIMETRES.
2. MANHOLES TO BE CONSTRUCTED IN 21N CONCRETE BLOCKS TO IS 20 COLOURED BLACK WITH MORTAR TO CLAUSE 507.13 OR IN-SITU MIX ST4 CONCRETE.
3. FOR INVERT DETAILS, NUMBER OF BRANCHES, DETAILS OF PIPES, TYPE OF COVER AND FRAME, SEE APPENDIX 5/1.
4. DIMENSIONS OF CHAMBER VARY ACCORDING TO PIPE SIZE SEE RCD/500/1.
5. MANHOLE COVER ARRANGEMENT IN CARRIAGEWAYS TO BE IN ACCORDANCE WITH RCD/500/14.
6. FLEXIBLE JOINTS TO BE IN ACCORDANCE WITH CLAUSE 507.14 AND RCD/500/14.



PLAN ON STRAIGHT INVERT SECTION A-A

FLEXIBLE JOINT TO CLAUSE 507.14



PLAN ON ANGLED INVERT

NOT TO SCALE

TII PUBLICATION NUMBER: CC-SCD-00502



ROAD CONSTRUCTION DETAILS

DRAINAGE

P4	03/15
P3	01/09
P2	10/07
Issue	Date

CHAMBER TYPE A  
(BLOCK OR IN SITU CONCRETE MANHOLE)

Drawing No.  
RCD/  
500/2