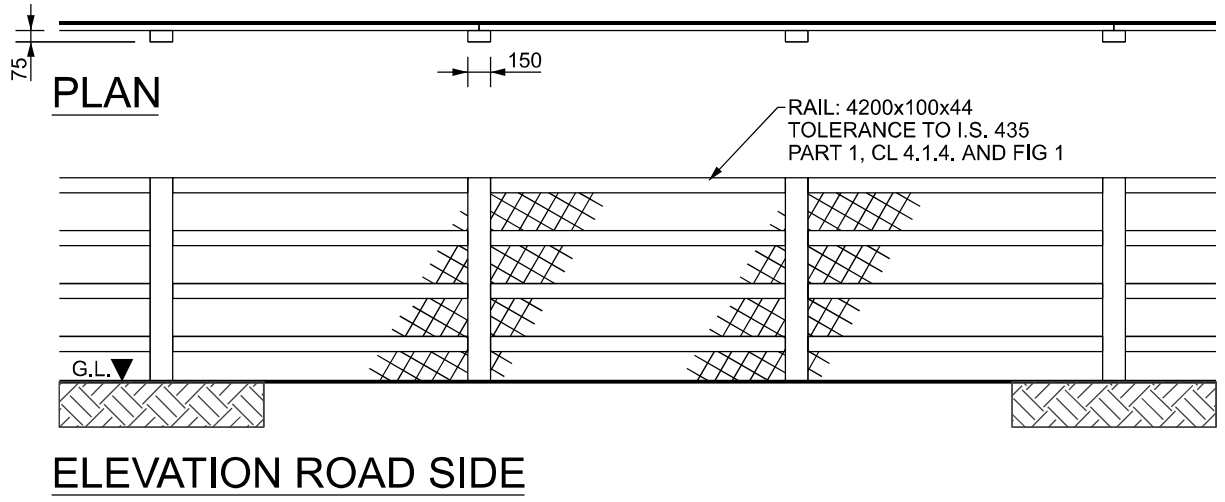


- NOTES A:**
1. FENCES SHALL BE CONSTRUCTED AND ERECTED IN ACCORDANCE WITH I.S. 435 EXCEPT WHERE OTHERWISE SHOWN.
 2. ANY LENGTH OF FENCING (INCLUDING BRANCHES AND SPURS) SHALL START WITH A POST AND END WITH A POST. AN ADDITIONAL POST SHALL BE PROVIDED AT FENCE JUNCTIONS AND AT FENCE CORNERS.
 3. POST HOLES FALLING IN ROCK SHALL BE EXCAVATED TO THE DEPTH SHOWN ON THIS DRAWING OR, SUBJECT TO AGREEMENT WITH THE EMPLOYER'S REPRESENTATIVE, TO A DEPTH OF 500mm, AND SHALL BE BACKFILLED WITH MIX ST2 CONCRETE. WHERE A REDUCED DEPTH OF HOLE IS AGREED, THE TOP OF THE POST SHALL BE SUITABLY CUT AND TREATED IN ACCORDANCE WITH THE RECOMMENDATIONS OF I.S. 435.
 4. FENCE POST AND RAIL SHALL BE TREATED WITH PRESERVATIVE IN ACCORDANCE WITH THE REQUIREMENTS OF CC-SCD-00322 AND APPENDIX B OF I.S. 435-1.
 5. CONCRETE FOUNDATIONS TO POSTS SHALL BE PROVIDED WHERE STATED IN APPENDIX 1/3.
 6. STUD FENCE (CC-SCD-00322) TO BE CONSTRUCTED PARALLEL TO ROAD SIDE TIMBER POST AND RAIL FENCE (CC-SCD-00301). FENCE TO BE CONSTRUCTED 2m APART WITH ADDITIONAL LAND TO BE SUPPLIED BY LAND OWNER (AS INDICATED ON CROSS SECTION).
 7. WHERE SIDELONG GROUND SLOPES DOWN TOWARDS THE FENCE AT A SLOPE GREATER THAN 1:4, THEN THE PERMANENT FENCING POST HEIGHT SHALL BE INCREASED BY A MINIMUM OF 250mm AND AN ADDITIONAL RAIL ADDED.



FIXING:
FIXING IN ACCORDANCE WITH I.S. 435-3, NOTES 13 AND 14 AND SECTION 4.4 OF I.S. 435-3.

NOTES B:
CHAINLINK MESH SHALL BE 1300mm WIDE, 50mm MESH MADE OF 2.25/3.15mm DIAM. PLASTIC COATED GALVANISED MILD MESH STEEL WIRE TO IS EN 10223-6.

| | | | | | | | | | | |
|---|---|--|------------------|---|----------|--------|----------------|----|-----|-------|
| <p>Bonneagar Iompair Éireann Transport Infrastructure Ireland</p> | ACTIVITY | PUBLICATION TITLE | | | | | | | | |
| | <p>Construction & Commissioning</p> | <p>FENCING STUD FENCING TYPE B</p> | | | | | | | | |
| STREAM | HISTORICAL REFERENCE | DOCUMENTATION SET | PUBLICATION DATE | PUBLICATION NUMBER | | | | | | |
| STANDARD CONSTRUCTION DETAILS (SCD) | RCD/300/22 | STANDARDS | JANUARY 2009 | <table border="1"> <tr> <td>ACTIVITY</td> <td>STREAM</td> <td>DRAWING NUMBER</td> </tr> <tr> <td>CC</td> <td>SCD</td> <td>00322</td> </tr> </table> | ACTIVITY | STREAM | DRAWING NUMBER | CC | SCD | 00322 |
| ACTIVITY | STREAM | DRAWING NUMBER | | | | | | | | |
| CC | SCD | 00322 | | | | | | | | |