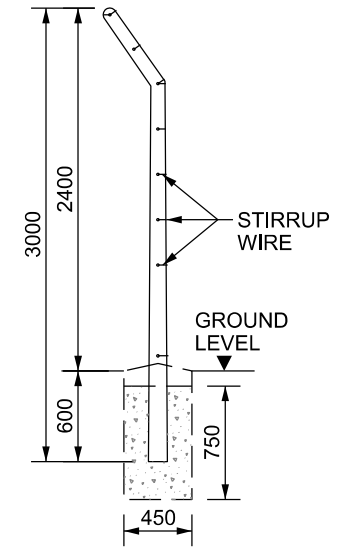
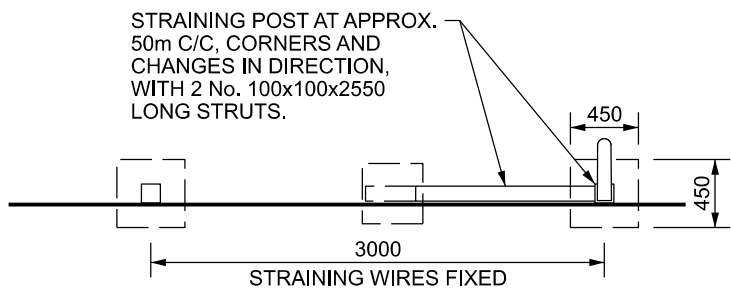


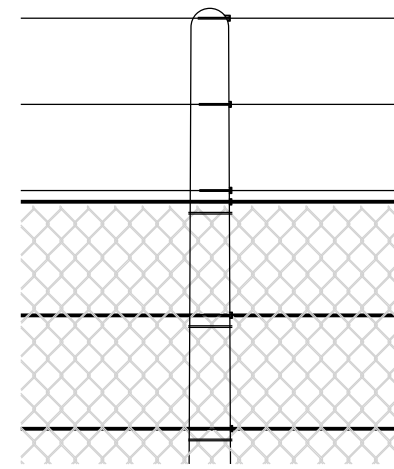
ELEVATION



SECTION A-A





PLAN



DETAIL

- NOTES :-
1. ALL DIMENSIONS ARE IN MILLIMETRES.
 2. ALL LINE WIRE, STIRRUP WIRE AND BARBED WIRE SHALL BE ZINC COATED TO COMPLY WITH B.S. EN 10244-2.
 3. WHEN THIS TYPE OF FENCE OR VARIATIONS OF IT USED FOR ACCOMMODATION WORK FENCES, THE REQUIREMENTS ARE INCLUDED IN APPENDIX 1/15 AND ON THE DRAWINGS.

 <p>Bonneagar Iompair Éireann Transport Infrastructure Ireland</p>	ACTIVITY	 <p>Construction & Commissioning</p>	PUBLICATION TITLE				
	STREAM		FENCING CRANKED CONCRETE POST AND MESH				
STANDARD CONSTRUCTION DETAILS (SCD)		HISTORICAL REFERENCE		DOCUMENTATION SET	PUBLICATION DATE	PUBLICATION NUMBER	
		RCD/300/18		STANDARDS	JANUARY 2007	ACTIVITY	STREAM
						CC	SCD
						DRAWING NUMBER	
						00318	