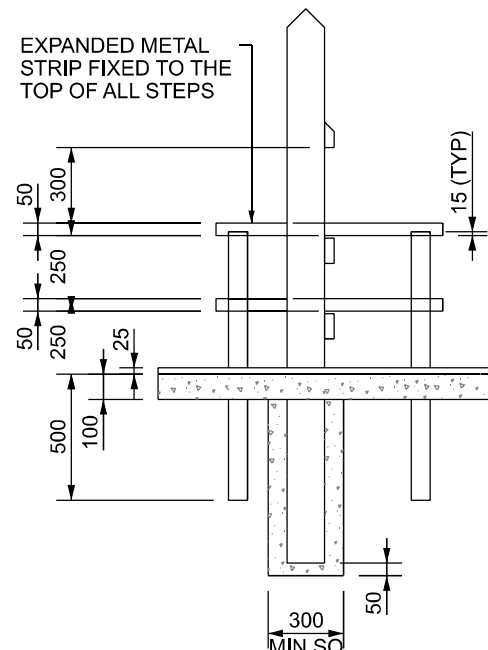
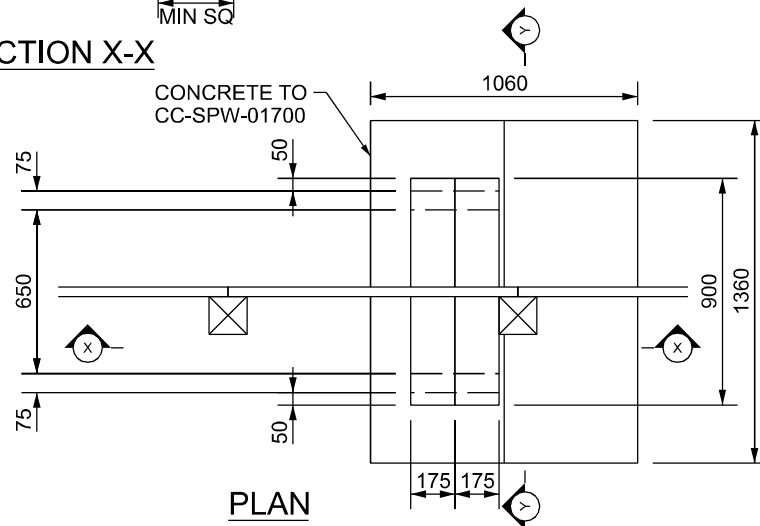


SECTION X-X



SECTION Y-Y



PLAN

- NOTES :-
1. ALL DIMENSIONS ARE IN MILLIMETRES UNLESS OTHERWISE STATED.
  2. ALL TIMBER SHALL BE IN ACCORDANCE WITH THE APPROPRIATE CLAUSES IN CC-SCD-00300 AND ANY OTHER REQUIREMENTS IN APPENDICES 1/15 AND 3/1 AND BS 5709.
  3. ALL STEELWORK SHALL BE GALVANIZED TO COMPLY WITH E.N. ISO 1461.
  4. TIMBER TO BE TREATED IN ACCORDANCE WITH I.S. 435-2005.

DESCRIPTION OF TIMBER MATERIALS	SECTION SIZE
POSTS TOP DOUBLE CHAMFERED	150x150
TOP RAIL OF FENCE SHALL BE WROUGHT AND TOP EDGE DOUBLE CHAMFERED BETWEEN THE POSTS AS SHOWN	100x38 MINIMUM
STEPS	175x50
SUPPORTS SECURED BY TWO 100 LONG X 4 GALVANIZED ROUND WIRE NAILS SKEW DRIVEN	175x50



PUBLICATION TITLE  
STILES  
TIMBER STILE - TYPE 2

ACTIVITY

STREAM

STANDARD CONSTRUCTION DETAILS (SCD)

HISTORICAL REFERENCE

RCD/300/16

DOCUMENTATION SET

STANDARDS

PUBLICATION DATE

MARCH 2000

PUBLICATION NUMBER

ACTIVITY

CC

STREAM

SCD

DRAWING NUMBER

00316