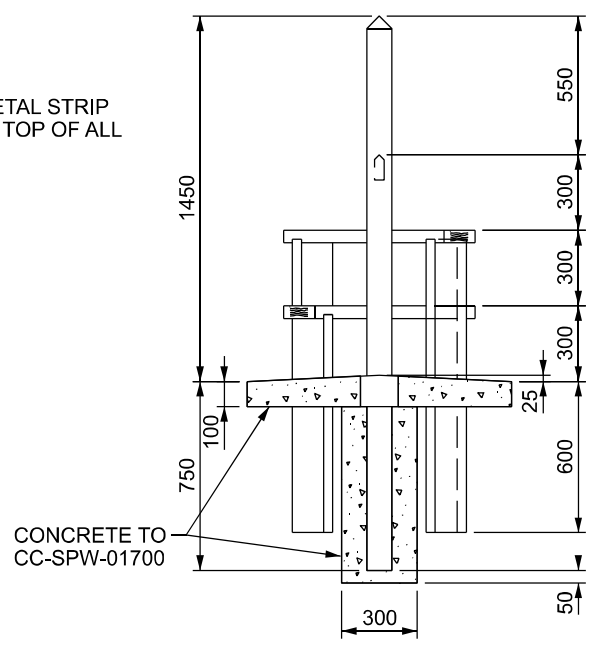
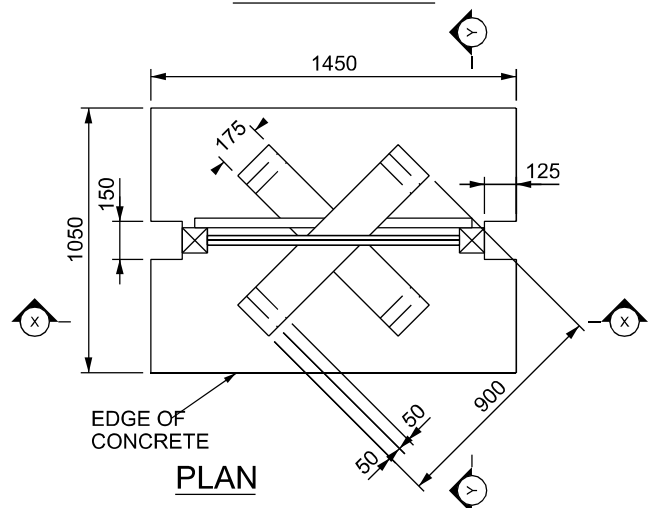


**SECTION X-X**



**SECTION Y-Y**



**PLAN**

- NOTES :-
1. ALL DIMENSIONS ARE IN MILLIMETRES UNLESS OTHERWISE STATED.
  2. ALL TIMBER SHALL BE IN ACCORDANCE WITH THE APPROPRIATE CLAUSES IN CC-SCD-00300 AND ANY OTHER REQUIREMENTS IN APPENDICES 1/15 AND 3/1 AND BS 5709.
  3. ALL STEELWORK SHALL BE GALVANIZED TO COMPLY WITH E.N. ISO 1461.
  4. STILE POSTS SHALL BE SET IN LINE OF FENCE.
  5. TIMBER TO BE TREATED IN ACCORDANCE WITH I.S. 435-2005.

DESCRIPTION OF TIMBER MATERIALS	SECTION SIZE
POSTS TOP DOUBLE CHAMFERED	150x150
CROSSHEAD WROUGHT. TOP HEAD DOUBLE CHAMFERED	100x38 MINIMUM
STEPS	175x50
SUPPORTS SECURED BY TWO 100 LONG X 4 GALVANIZED ROUND WIRE NAILS SKEW DRIVEN	175x50



PUBLICATION TITLE  
**STILES  
TIMBER STILE - TYPE 1**

ACTIVITY  
STANDARD CONSTRUCTION DETAILS (SCD)

HISTORICAL REFERENCE	DOCUMENTATION SET	PUBLICATION DATE	PUBLICATION NUMBER		
RCD/300/15	STANDARDS	JANUARY 2007	ACTIVITY CC	STREAM SCD	DRAWING NUMBER 00315