

PROVISIONS SHALL BE MADE IN THE TOP HINGE FOR THREE 10Ø CUP HEAD SQUARE SHANKED BOLTS AS SHOWN

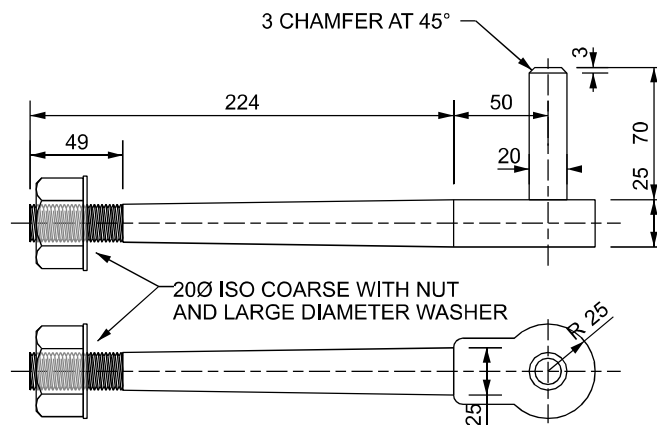
TOP HINGE

PROVISIONS SHALL BE MADE IN THE TOP HINGE FOR THREE 10Ø CUP HEAD SQUARE SHANKED BOLTS AS SHOWN

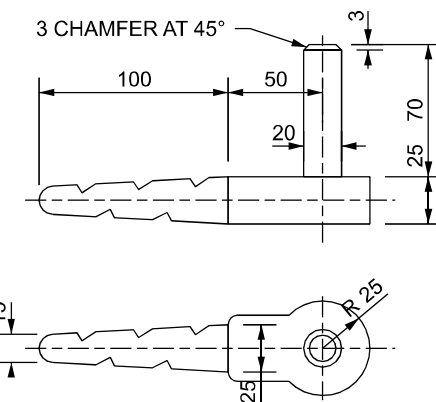
BOTTOM HINGE

TO SUIT BOTTOM RAIL AND HANGING STILE

TO SUIT BOTTOM RAIL AND HANGING STILE



TOP CROOK



BOTTOM CROOK

- NOTES :-
1. ALL DIMENSIONS ARE IN MILLIMETRES UNLESS OTHERWISE STATED.
 2. GATE FITTINGS SHALL COMPLY WITH CC-SCD-00300 AND ANY OTHER FURTHER REQUIREMENTS IN APPENDIX 1/15 AND 1/3.
 3. FITTINGS SHALL BE MILD STEEL GALVANIZED TO I.S. E.N. 10240.



PUBLICATION TITLE
GATES
HINGES FOR TIMBER FIELD GATE

STREAM	ACTIVITY	HISTORICAL REFERENCE	DOCUMENTATION SET	PUBLICATION DATE	PUBLICATION NUMBER		
					ACTIVITY	STREAM	DRAWING NUMBER
STANDARD CONSTRUCTION DETAILS (SCD)		RCD/300/13	STANDARDS	JANUARY 2007	CC	SCD	00313