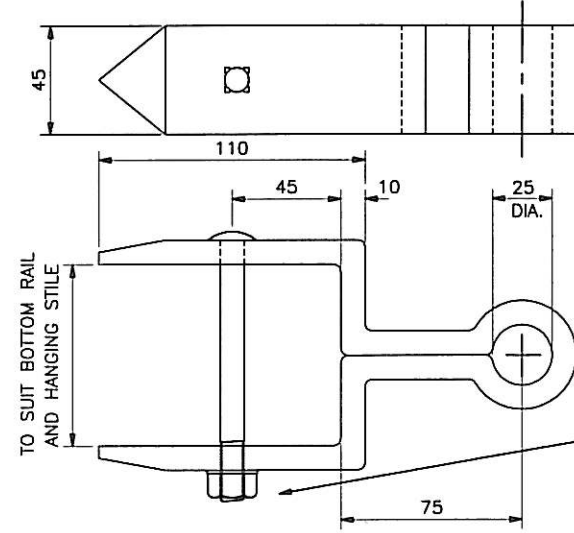


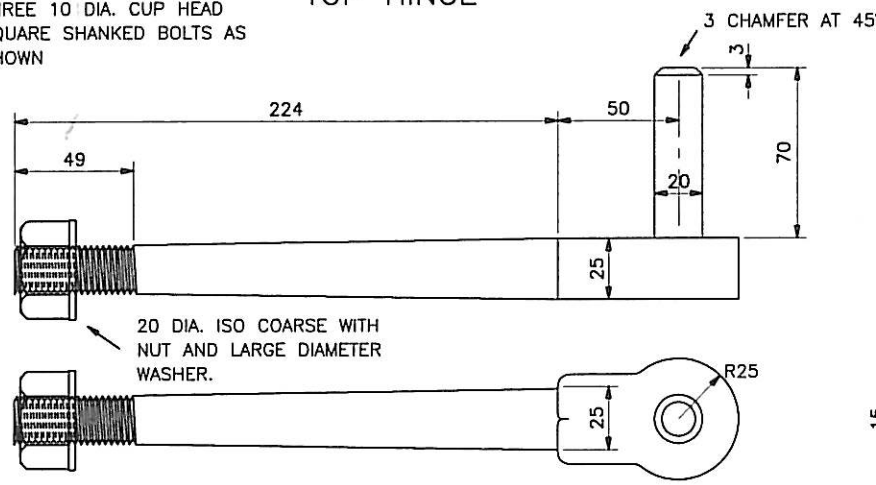
TOP HINGE



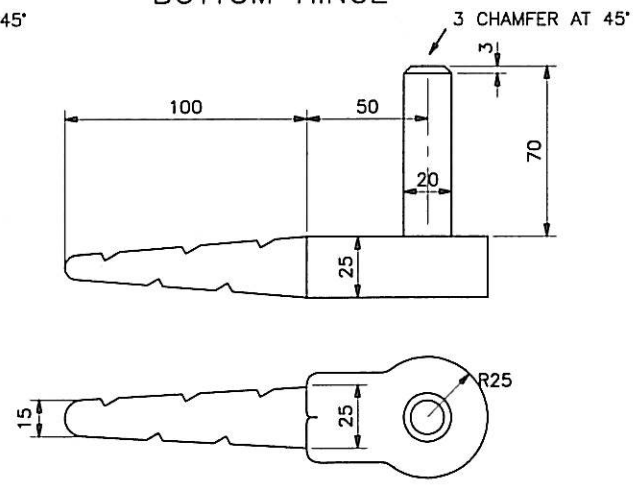
BOTTOM HINGE

PROVISION SHALL BE MADE IN THE TOP HINGE FOR THREE 10 DIA. CUP HEAD SQUARE SHANKED BOLTS AS SHOWN

PROVISION SHALL BE MADE IN THE BOTTOM HINGE FOR ONE 10 DIA. CUP HEAD SQUARE SHANKED BOLTS AS SHOWN



TOP CROOK



BOTTOM CROOK

- NOTES :
1. ALL DIMENSIONS ARE IN MILLIMETRES UNLESS OTHERWISE STATED.
 2. GATE FITTINGS SHALL COMPLY WITH THE 300 SERIES AND ANY OTHER FURTHER REQUIREMENTS IN APPENDIX 1/15 OR 3/1.
 3. FITTINGS SHALL BE MILD STEEL GALVANIZED TO BS 729.