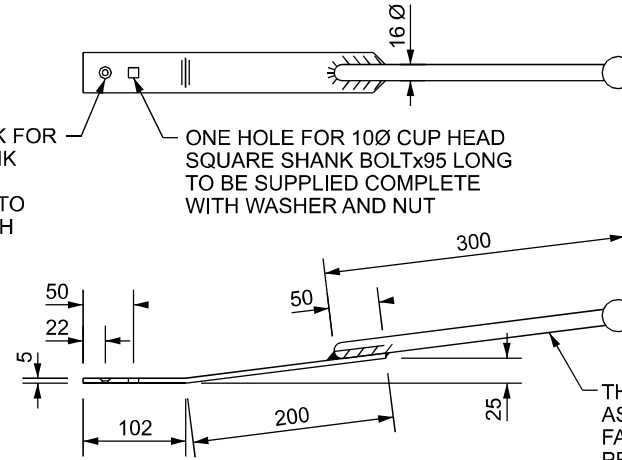


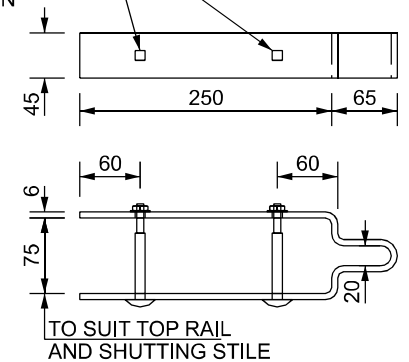
**ELEVATION**

DRILL AND COUNTERSINK FOR NUMBER 8 COUNTERSUNK HEAD CADMIUM PLATED WOOD SCREWx25 LONG TO BE SUPPLIED WITH CATCH



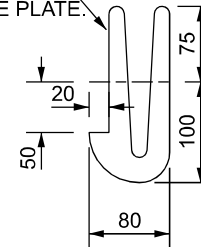
**SPRING CATCH**

TWO HOLES FOR 10 Ø CUP HEAD SQUARE SHANK BOLTSx100 LONG TO BE SUPPLIED EACH WITH ONE NUT AS SHOWN



**HEAD STRAP**

13 THICK KEEP DRIVE PLATE.



**DRIVE CATCH**

DESCRIPTION OF TIMBER MATERIALS	SIZES
HANGING POST	200x200x2225 LONG
SHUTTING POST	175x175x2225 LONG
HANGING STILE	100x75
SHUTTING STILE	75x75
TOP RAIL	100x125
UNDER RAILS	75x38
BRACES HOUSED IN TOP RAIL	75x25

NOTES :-

1. ALL DIMENSIONS ARE IN MILLIMETRES UNLESS OTHERWISE STATED.
2. GATES AND GATE FITTINGS SHALL COMPLY WITH THE APPROPRIATE CLAUSES IN CC-SCD-00300 AND ANY FURTHER REQUIREMENTS IN APPENDIX 1/15 OR 3/1.
3. ALL THROUGH TENONS SHALL BE PEGGED WITH 13Ø OAK DOWELS.
4. FOR DETAILS OF FITTINGS FOR HANGING AND FASTENING SEE CC-SCD-00313 AND CC-SCD-00314.
5. THE GATE SHALL OPEN INWARD FROM THE ADJACENT CARRIAGEWAY INTO THE OWNER'S PROPERTY.
6. TIMBER TO BE TREATED IN ACCORDANCE WITH I.S. 435.
7. FITTINGS SHALL BE MILD STEEL GALVANISED TO I.S. EN 10240 WITH THE EXCEPTION OF THE SPRING CATCH WHICH SHALL BE TEMPERED STEEL, PRESET AS SHOWN.



PUBLICATION TITLE  
GATES  
TIMBER SINGLE FIELD GATE

ACTIVITY  
STANDARD CONSTRUCTION DETAILS (SCD)

HISTORICAL REFERENCE

RCD/300/12

DOCUMENTATION SET

STANDARDS

PUBLICATION DATE

JANUARY 2007

PUBLICATION NUMBER

ACTIVITY	STREAM	DRAWING NUMBER
CC	SCD	00312