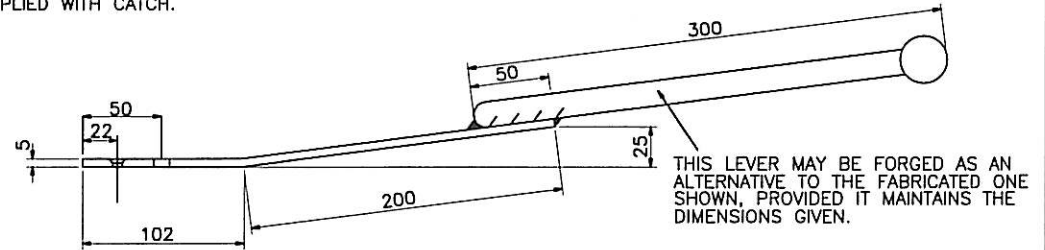
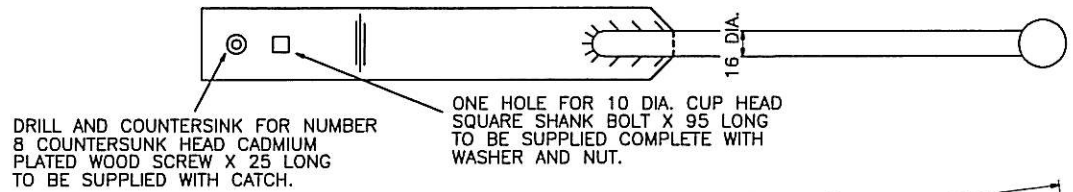


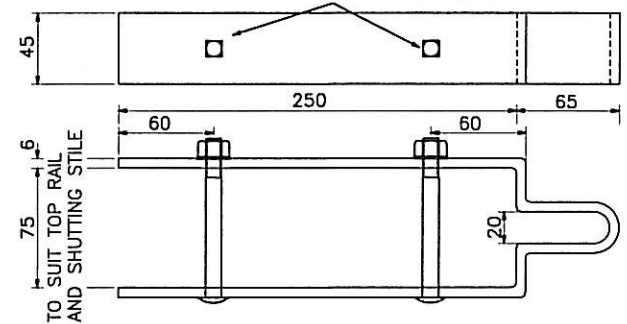
ELEVATION

DESCRIPTION OF TIMBER MATERIALS	SIZE
HANGING POST	200x200x2100 LONG
SHUTTING POST	175x175x2100 LONG
HANGING STILE	100x75
SHUTTING STILE	75x75
TOP RAIL	100x75
UNDER RAILS	75x38
BRACE HOUSED IN TOP RAIL	75x25

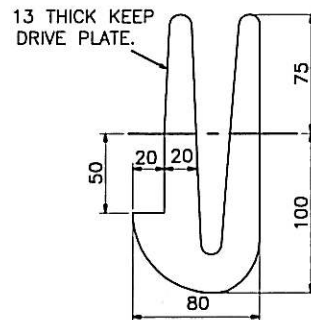


SPRING CATCH

TWO HOLES FOR 10 DIA. CUP HEAD SQUARE SHANK BOLTS X 100 LONG TO BE SUPPLIED EACH WITH ONE NUT AS SHOWN.



HEAD STRAP



DRIVE CATCH

NOTES :

- ALL DIMENSIONS ARE IN MILLIMETRES UNLESS OTHERWISE STATED.
- GATES AND GATE FITTINGS SHALL COMPLY WITH THE APPROPRIATE CLAUSES IN THE 300 SERIES AND ANY FURTHER REQUIREMENTS IN APPENDIX 1/15 OR 3/1.
- ALL THROUGH TENONS SHALL BE PEGGED WITH 13 DIA. OAK DOWELS.
- FOR DETAILS OF FITTINGS FOR HANGING AND FASTENING SEE RCD/300/13.
- THE GATE SHALL OPEN INWARDS FROM THE ADJACENT CARRIAGEWAY INTO THE OWNER'S PROPERTY.
- TIMBER TO BE TREATED WITH CCA IN ACCORDANCE WITH RC 25.
- FITTINGS SHALL BE MILD STEEL GALVANISED TO BS 729 WITH THE EXCEPTION OF THE SPRING CATCH WHICH SHALL BE TEMPERED STEEL, PRESET AS SHOWN.