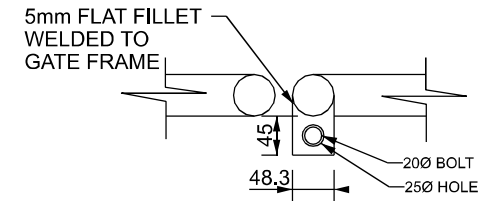
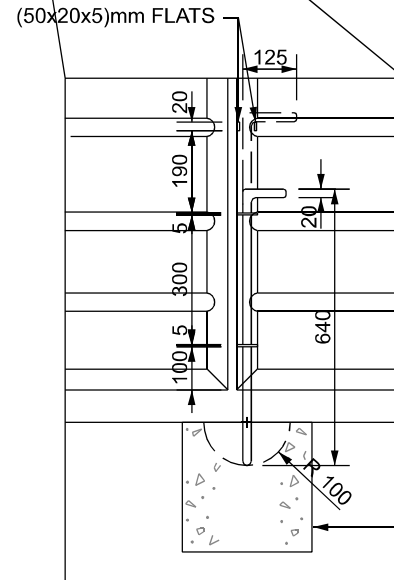


**ELEVATION
(FIELD SIDE)**

- NOTES:-**
1. ALL DIMENSIONS ARE IN MILLIMETRES.
 2. GATES SHALL COMPLY WITH THE APPROPRIATE CLAUSES IN CC-SCD-00300 AND ANY FURTHER REQUIREMENTS IN APPENDIX 1 /15 OR 3 /1.
 3. FOR DETAILS OF LATCHES AND HINGES SEE CC-SCD-00309. GATE STOPS TO BE PROVIDED IN ACCORDANCE WITH CC-SCD-00314.
 5. THE GATE SHALL OPEN INWARD FROM THE ADJACENT CARRIAGEWAY INTO THE OWNER'S PROPERTY.
 6. THE CORNERS OF THE MAIN FRAME MAY BE ROUNDED OR/AND MITERED.
 7. GATE TO BE GALVANISED TO COMPLY WITH IS EN 10240 UNLESS ALTERNATIVE PROTECTIVE TREATMENT DESCRIBED IN APPENDIX 1 /15 OR 1 /3.

DESCRIPTION OF MATERIAL	SIZE	FIXINGS AND FITTINGS
POST (TUBULAR STEEL)	114.3 OUTER DIA x3.6 THICK	TOP CAPPING PLATE 4.8 THICK, TWO 250x250x4.8 WING PLATES STITCH WELDED TO POST, BASE PLATE 250x250x4.8, CAP AND BASE PLATE TO BE CONTINUOUSLY FLUSH WELDED TO TUBE.
OUTER FRAMES (TUBULAR STEEL)	48.3 OUTER DIA x2.9 THICK	
INFILLING HORIZONTAL RAILS (ALL TUBULAR STEEL)	42.4 OUTER DIA x2.6 THICK	
4 VERTICAL BRACES (FLAT STEEL)	38x4.8	FILLET WELDED TO EACH GATE MEMBER CROSSED BY BRACES.
MESH FABRIC (IF SPECIFIED)	51mm SQ.x 4.1mm Ø STEEL SQUARE WELDED MESH FABRIC	



SECTION A-A

		PUBLICATION TITLE GATES STEEL DOUBLE FIELD GATE			
	ACTIVITY STANDARD CONSTRUCTION DETAILS (SCD)	HISTORICAL REFERENCE SCD/300/10	DOCUMENTATION SET STANDARDS	PUBLICATION DATE AUGUST 2010	PUBLICATION NUMBER CC SCD 00310