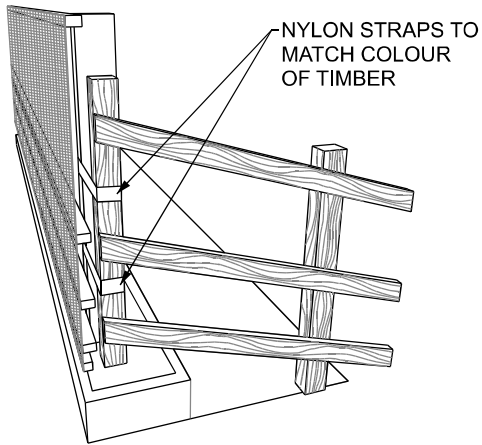
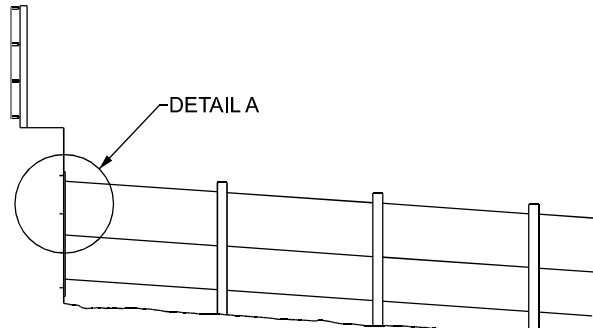


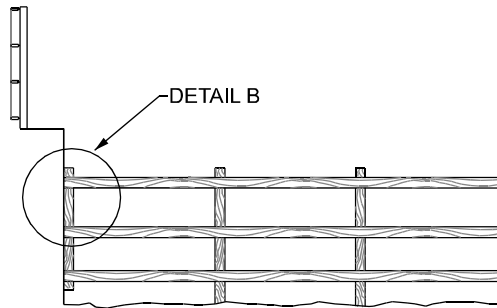
BRIDGE PARAPET WITH SAFETY FENCE AND TIMBER POST AND RAIL FENCE



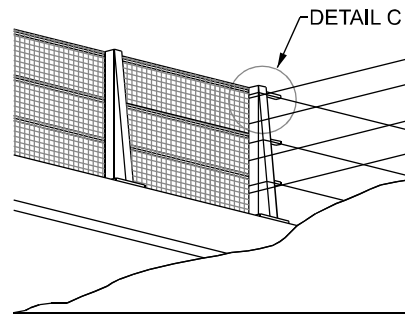
BRIDGE PARAPET WITHOUT SAFETY FENCE TO TIMBER POST AND RAIL FENCE



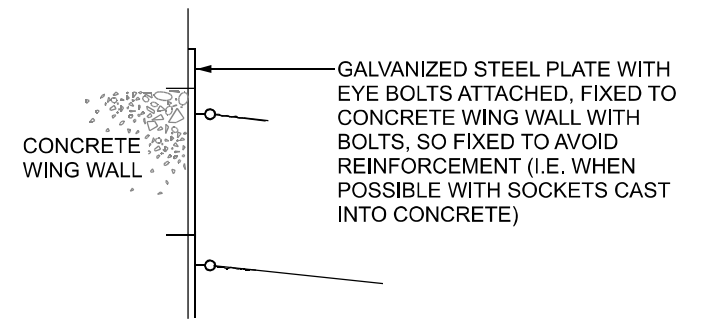
WING WALL TO POST AND WIRE FENCE



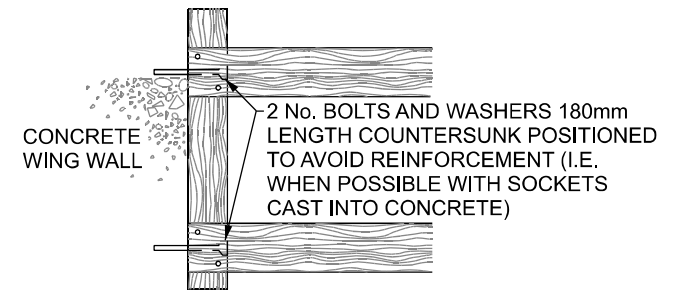
WING WALL TO POST AND RAIL FENCE



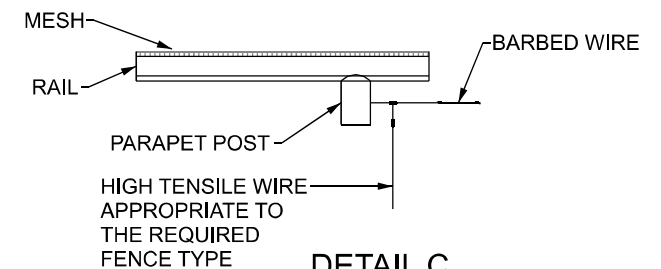
BRIDGE PARAPET TO POST AND WIRE FENCE



DETAIL A



DETAIL B



DETAIL C



PUBLICATION TITLE
**FENCING
 DIAGRAMMATIC METHODS OF ATTACHING FENCING STRUCTURES**

ACTIVITY	PUBLICATION TITLE			PUBLICATION NUMBER	
STREAM	HISTORICAL REFERENCE	DOCUMENTATION SET	PUBLICATION DATE	ACTIVITY	DRAWING NUMBER
STANDARD CONSTRUCTION DETAILS (SCD)	RCD/300/8	STANDARDS	JANUARY 2007	CC	00308