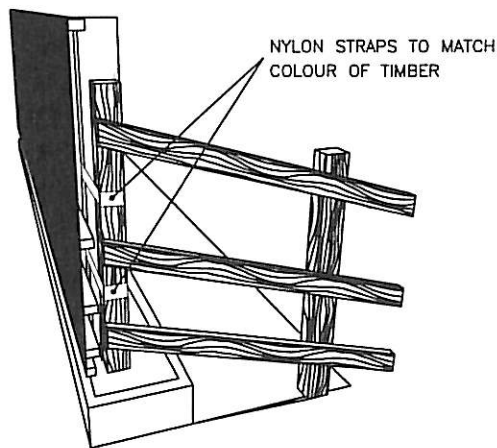
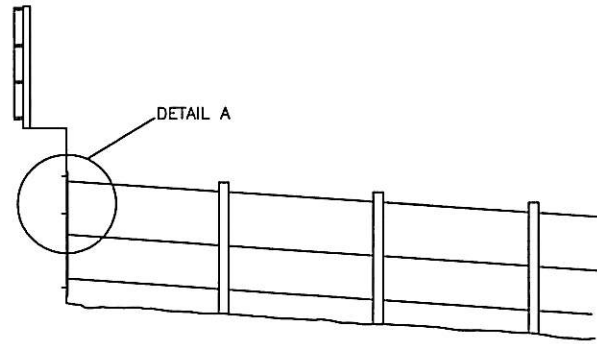


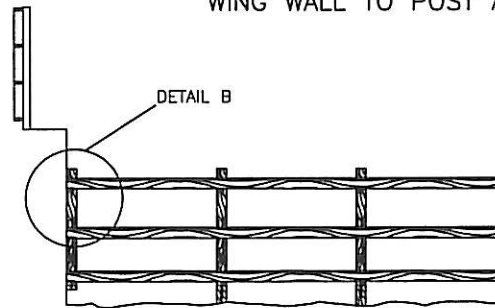
BRIDGE PARAPET WITH SAFETY FENCE AND TIMBER POST AND RAIL FENCE



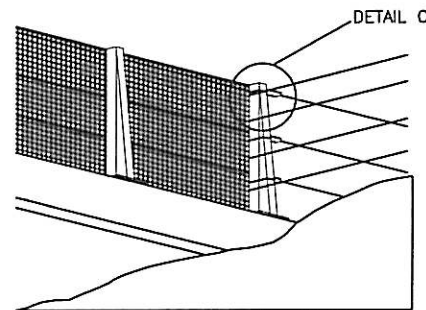
BRIDGE PARAPET WITHOUT SAFETY FENCE TO TIMBER POST AND RAIL FENCE



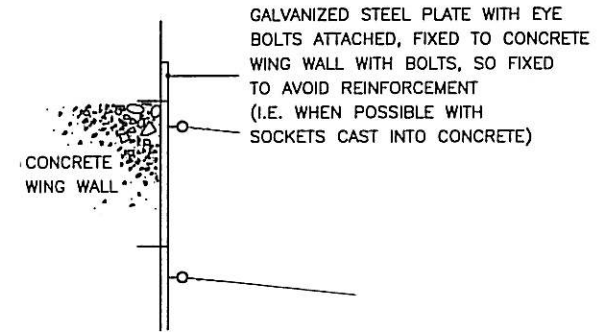
WING WALL TO POST AND WIRE FENCE



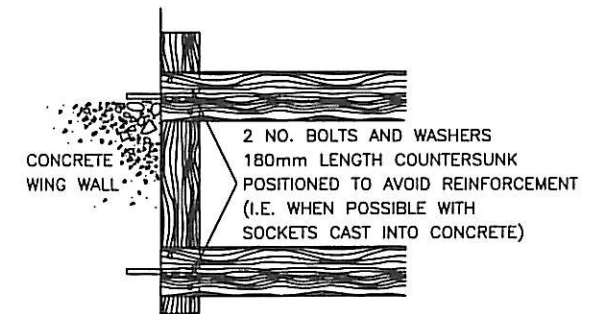
WING WALL TO POST AND RAIL FENCE



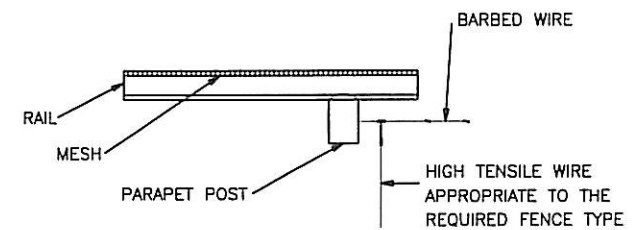
BRIDGE PARAPET TO POST AND WIRE FENCE



DETAIL A



DETAIL B



DETAIL C