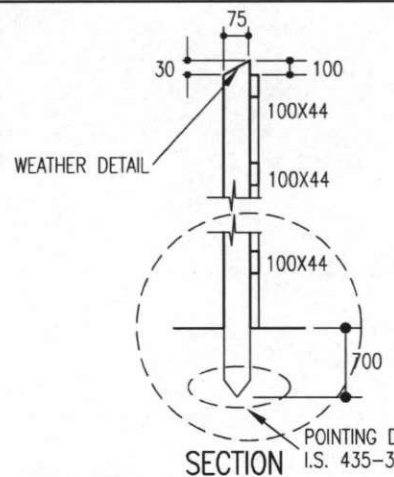


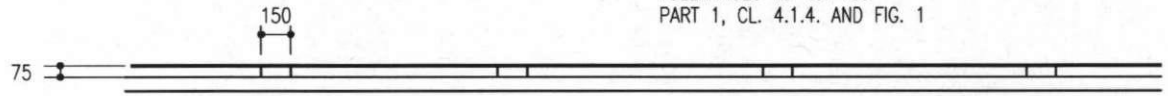
ELEVATION FIELD SIDE

POST: 2100X150X75  
TOLERANCES TO I.S. 435 PART 1, CL. 4.1.4. AND FIG. 1

LINE WIRE TO I.S. 435 PART 1, CLAUSE 4.4.4.

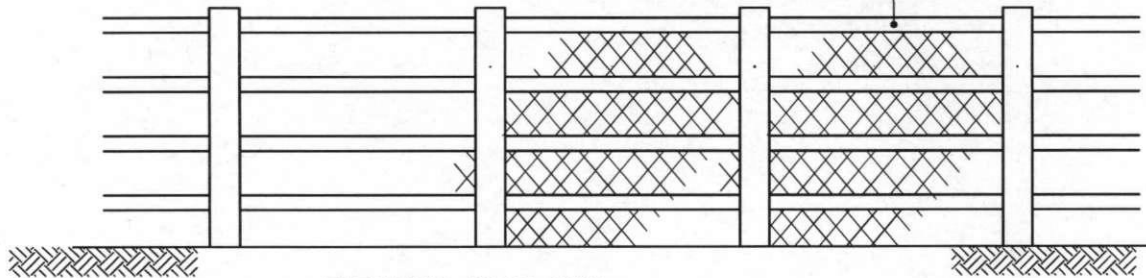


POINTING DETAIL AS PER I.S. 435-3, 2005



PLAN

RAIL: 4200X100X44  
TOLERANCES TO I.S. 435 PART 1 CL. 4.1.4 AND FIG. 1



ELEVATION ROAD SIDE

FIXING.

FIXING IN ACCORDANCE WITH I.S. 435-3:2005, NOTES 13 AND 14 AND SECTION 4.4 OF I.S. 435-1, 2005

NOTES B:

CHAINLINK MESH SHALL BE 1300mm WIDE, 50mm MESH MADE OF 2.25/3.15mm DIAM. PLASTIC COATED GALVANISED MILD MESH STEEL WIRE TO IS EN 10223-6.

NOTES A:

1. FENCES SHALL BE CONSTRUCTED AND ERECTED IN ACCORDANCE WITH IS. 435: 2005 EXCEPT WHERE OTHERWISE SHOWN.
2. ANY LENGTH OF FENCING (INCLUDING BRANCHES AND SPURS) SHALL START WITH A POST AND END WITH A POST. AN ADDITIONAL POST SHALL BE PROVIDED AT FENCE JUNCTIONS AND AT FENCE CORNERS.
3. POST HOLES FALLING IN ROCK SHALL BE EXCAVATED TO THE DEPTH SHOWN ON THIS DRAWING OR, WITH THE ENGINEER'S APPROVAL, TO A DEPTH OF 500mm, AND SHALL BE BACKFILLED WITH MIX ST2 CONCRETE. WHERE A REDUCED DEPTH OF HOLE IS ACCEPTED BY THE ENGINEER, THE TOP OF THE POST SHALL BE SUITABLY CUT AND TREATED IN ACCORDANCE WITH THE RECOMMENDATIONS OF IS.435: 2005.
4. FENCE POST AND RAIL SHALL BE TREATED WITH PRESERVATIVE IN ACCORDANCE WITH THE REQUIREMENTS OF SERIES 300 OF THE SPECIFICATIONS FOR ROAD WORKS AND APPENDIX B OF IS.435-1: 2005.
5. CONCRETE FOUNDATIONS TO POSTS SHALL BE PROVIDED WHERE STATED IN APPENDIX 1/3 OR AS DIRECTED BY THE ENGINEER.
6. WHERE SIDELONG GROUND SLOPES DOWN TOWARDS THE FENCE AT A SLOPE GREATER THAN 1:4, THEN THE PERMANENT FENCING POST HEIGHT SHALL BE INCREASED BY A MINIMUM OF 250mm AND AN ADDITIONAL RAIL ADDED.



ROAD CONSTRUCTION  
DETAILS

FENCING

|       |       |
|-------|-------|
| P2    | 02/07 |
| P1    | 03/00 |
| Issue | Date  |

TIMBER POST AND RAIL FENCE

Drawing No.

RCD/  
300/1