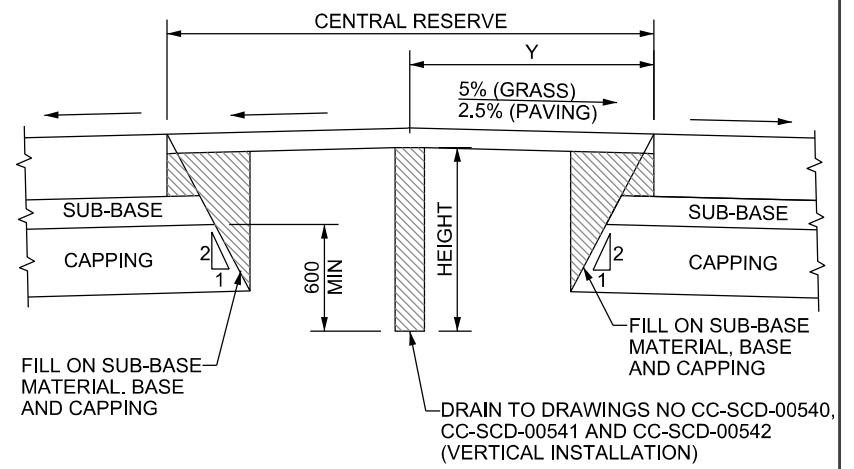
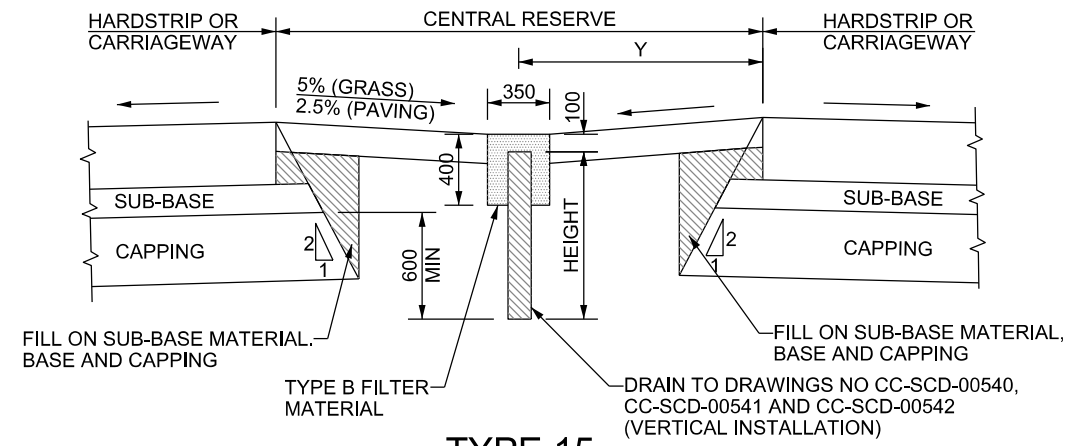


TYPE 14
(DRAINAGE CHANNEL BLOCK AND DRAIN)



TYPE 16
(DRAIN IN RAISED CENTRAL RESERVE)



TYPE 15
(DRAIN IN DISHED CENTRAL RESERVE)

- Notes :-
1. ALL DIMENSIONS ARE IN MILLIMETRES.
 2. DIMENSIONS X AND Y TO BE AS DESCRIBED IN APPENDIX 5 /3.
 3. FOR DETAILS OF DRAINAGE BLOCKS SEE DRAWING CC-SCD-00523.
 4. TOPSOIL OR PAVING IN THE CENTRAL RESERVE SHALL BE AS DESCRIBED IN APPENDIX 5 /3.
 5. WHERE THE CENTRAL RESERVE IS GRASSED AND CARRIAGEWAY SURFACE WATER IS TO FLOW OVER THE EDGE THE SURFACE OF THE CENTRAL RESERVE SHOULD BE SET BELOW ADJACENT HARDSTRIP OR CARRIAGEWAY IN ACCORDANCE WITH CC-SPW-00700 (SERIES 700) REQUIREMENTS.
 6. ROAD RESTRAINT SYSTEM NOT SHOWN FOR CLARITY BUT SHALL BE AS DESCRIBED IN APPENDIX 4 /1.
 7. PERMITTED CENTRAL RESERVE DRAINAGE OPTIONS ARE INDICATED IN DN-DNG-03022.



EDGE OF PAVEMENT DETAILS
CENTRAL RESERVE DRAINAGE CHANNEL BLOCKS AND DRAINS

ACTIVITY	PUBLICATION TITLE		HISTORICAL REFERENCE		DOCUMENTATION SET	PUBLICATION DATE	PUBLICATION NUMBER		
STREAM	STANDARD CONSTRUCTION DETAILS (SCD)		RCD/100/11	STANDARDS	MARCH 2015	CC	SCD	00111	