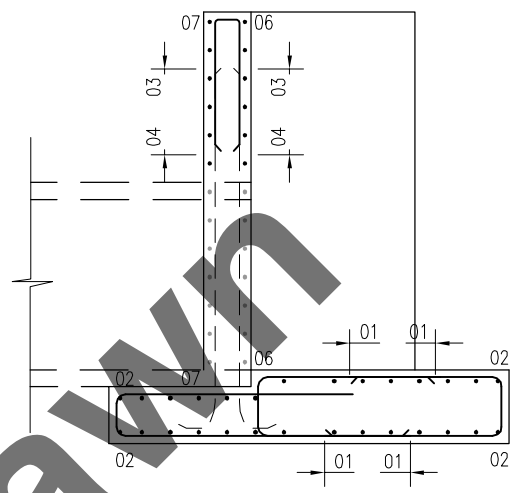
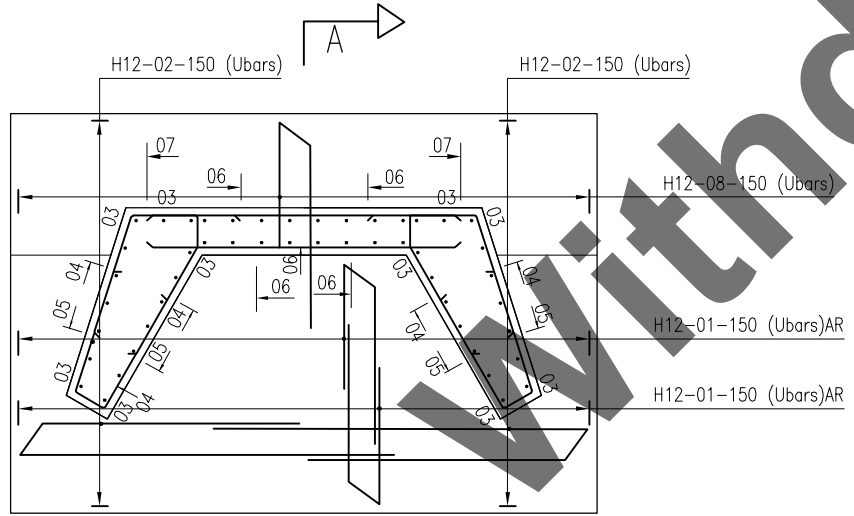


ELEVATION



SECTION A - A



PLAN

- NOTES :
- ALL DIMENSIONS ARE IN MILLIMETRES EXCEPT WHERE STATED.
 - REINFORCEMENT :
 - DETAILING OF STEEL : 21H25-2-300B DENOTES 21 NO. 25mm BARS OF GRADE B500A/B OR C STEEL AT 300mm CENTRES BOTTOM AND SCHEDULED AS MARK 2.
 - BENDING OF BARS AND SCHEDULING IS TO CONFORM TO BS 8666:2005 INCLUDING ALL AMENDMENTS.
 - TYPE OF REINFORCING STEEL IS REFERRED TO BY THE FOLLOWING ABBREVIATION :
 H..... GRADE B 500A/B OR C CONFORMING TO BS 4449:2005
 - NOMINAL COVER TO REINFORCEMENT TO BE 40mm
 - NOTATION :
 T&B DENOTES TOP AND BOTTOM OF & IF DENOTES OUTER AND INNER FACE
 EF DENOTES EACH FACE
 NF & FF DENOTES NEAR FACE AND FAR FACE
 AS DENOTES ALTERNATE STAGGER
 AR DENOTES ALTERNATE REVERSED
 - CONCRETE :
CONCRETE TO BE CLASS 40/20
 - REINFORCEMENT SHOWN IS TYPICAL AND IS ONLY TO BE USED IN ASSOCIATION WITH A UNIQUE STRUCTURAL DESIGN CARRIED OUT FOR THE HEADWALLS ON A PROJECT.

NOT TO SCALE

P3	01/09
P2	10/07
P1	03/00
Issue	Date