

Traffic side

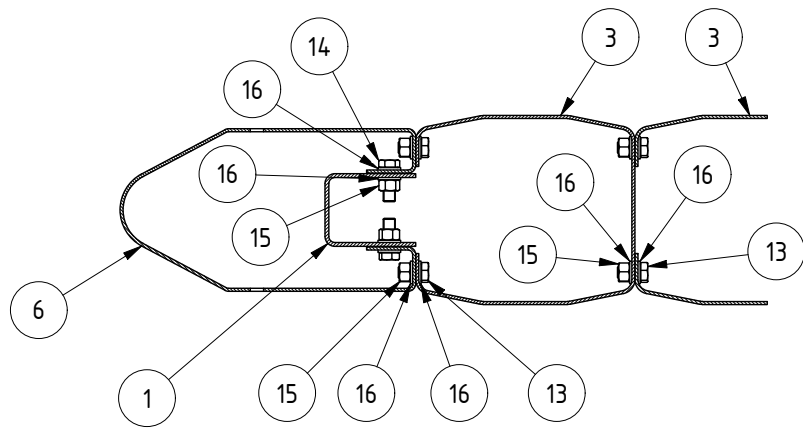
PARTS LIST

ITEM	CODE	DRW N	REV	DESCRIPTION	MATERIAL	WEIGHT[kg]	QTY
1	11.02264	2264		PROFILE U120x96mm TH.5,0mm L=1540mm	S355 JR	18,9	1
2	11.02265	2265		PROFILE U120x96mm TH.5,0mm L=1150mm	S355 JR	14,18	1
3	10.02266	2266		MODULE A 290x250mm TH.4,0mm H=785mm	S355 JR	20,99	11
4	10.02267	2267		MODULE B 290x250mm TH.3,0mm H=715mm	S355 JR	14,56	8
5	10.02268	2268		MODULE C TH.3,0mm H=560mm	S355 JR	12,14	2
6	10.02269	2269		MODULE D 391x215mm TH.4,0mm H=842mm	S355 JR	26,33	1
7	10.02273	2273		PROFILE TYPE 1 C100x80mm L=3750mm (30-0)	S355 JR	44,19	1
8	10.02275	2275		PROFILE TYPE 2 C100x80mm L=2150mm	S355 JR	20,67	1
9	13.02276	2276		INNER JOINT U92x65mm TH.4,0mm L=500mm	S355 JR	3,11	1
10	10.02277	2277		CENTERING SUPPORT 260x80mm TH.4,0mm	S355 JR	0,8	1
11	31.02278	2278		WIRE ROPE nom18 L=6250mm		14,83	1
12	10.00095	95	A	PLATE 90x50mm TH.5,00mm	S275 JR	0,16	2
13	21.01701			HH SCREW ISO 4017 - M16x30 - 8.8 - tZn	8.8	0,09	122
14	21.00145			HH SCREW ISO 4017 - M16x45 - 8.8 - tZn	8.8	0,11	28
15	22.00146			HEX. NUT ISO 4032 - M16 - 8Z - tZn	8	0,04	150
16	23.00147			WASHER ISO 7089 - 16 - 200 HV	200 HV	0,01	300

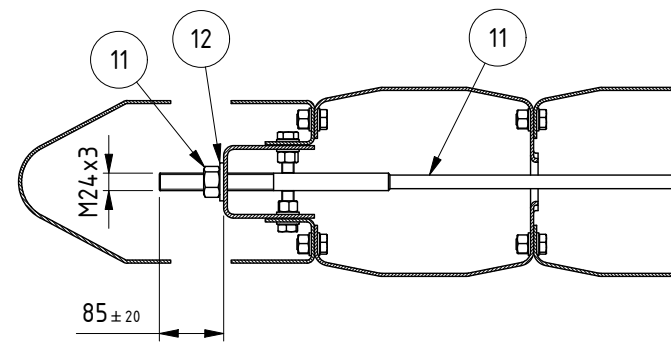
TII ASSESSED
DN-REQ-03080

DATE	19/10/2022	SCALE	1:20	PAPER SIZE	A3	CODE	C.02279
DRAWN	PASQUALETTO	APPROVED	STEVANATO			SHEET N	1
						DRAWING N	2279
				Modular Safety Device MSD-LT 22M-S		C_20221019_153016.dwg	

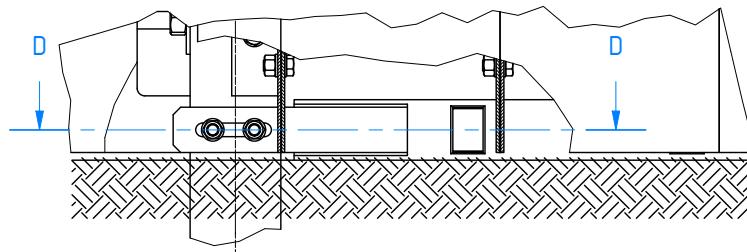
A-A (1:10)



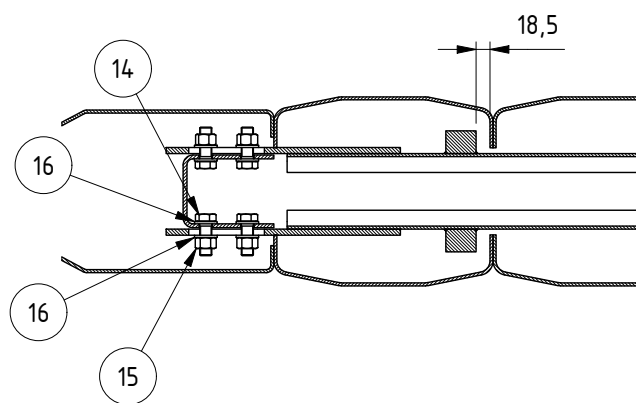
B-B (1:10)



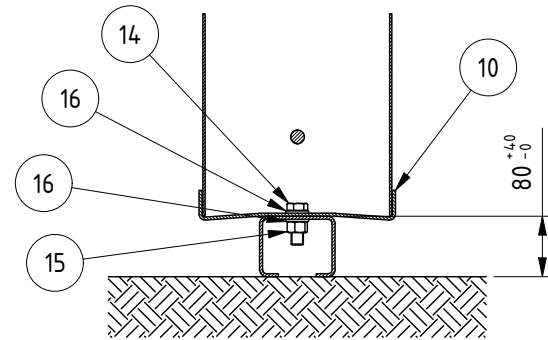
C (1:10)



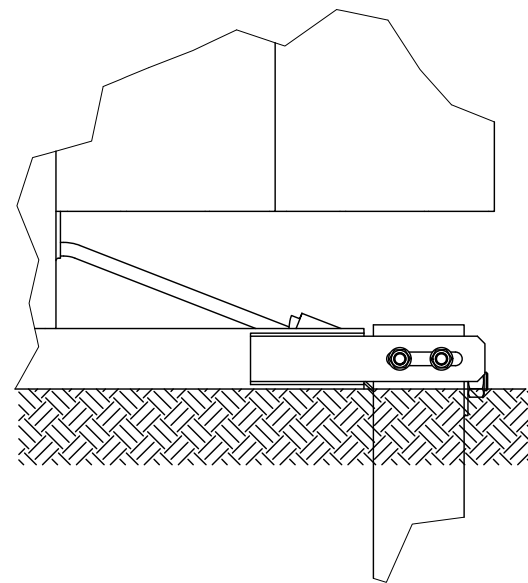
D-D (1:10)



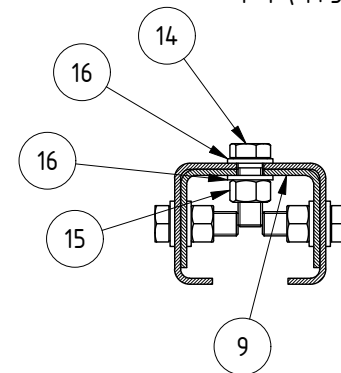
H-H (1:10)



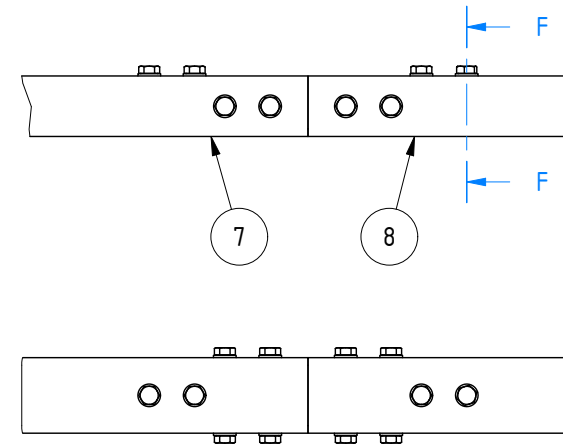
G (1:10)



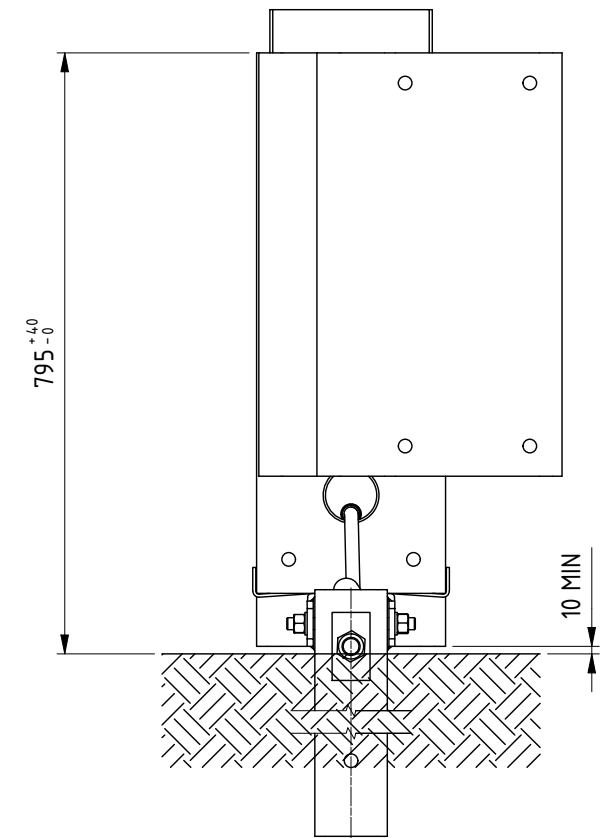
F-F (1:5)



E (1:10)




L (1:10)



ITEM	CODE	DRW N	REV	DESCRIPTION	MATERIAL	WEIGHT[kg]	QTY
16	23.00147			WASHER ISO 7089 - 16 - 200 HV	200 HV	0,01	300
15	22.00146			HEX. NUT ISO 4032 - M16 - 8Z - tZn	8	0,04	150
14	21.00145			HH SCREW ISO 4017 - M16x45 - 8.8 - tZn	8.8	0,11	28
13	21.01701			HH SCREW ISO 4017 - M16x30 - 8.8 - tZn	8.8	0,09	122
12	10.00095	95	A	PLATE 90x50mm TH.5,00mm	S275 JR	0,16	2
11	31.02278	2278		WIRE ROPE nom18 L=6250mm		14,83	1
10	10.02277	2277		CENTERING SUPPORT 260x80mm TH.4,0mm	S355 JR	0,8	1
9	13.02276	2276		INNER JOINT U92x65mm TH.4,0mm L=500mm	S355 JR	3,11	1
8	10.02275	2275		PROFILE TYPE 2 C100x80mm L=2150mm	S355 JR	20,67	1
7	10.02273	2273		PROFILE TYPE 1 C100x80mm L=3750mm (30-0)	S355 JR	44,19	1
6	10.02269	2269		MODULE D 391x215mm TH.4,0mm H=842mm	S355 JR	26,33	1
5	10.02268	2268		MODULE C TH.3,0mm H=560mm	S355 JR	12,14	2
4	10.02267	2267		MODULE B 290x250mm TH.3,0mm H=715mm	S355 JR	14,56	8
3	10.02266	2266		MODULE A 290x250mm TH.4,0mm H=785mm	S355 JR	20,99	11
2	11.02265	2265		PROFILE U120x96mm TH.5,0mm L=1150mm	S355 JR	14,18	1
1	11.02264	2264		PROFILE U120x96mm TH.5,0mm L=1540mm	S355 JR	18,9	1

PARTS LIST

DATE	19/10/2022	SCALE	PAPER SIZE	CODE
DRAWN	PASQUALETTO	1:10	A3	C.02279
APPROVED	STEVANATO			SHEET N
 Office B, Teach Dara, Academy Street, Kildare Town, Co.Kildare, Ireland www.obexsystems.com				2
				DRAWING N
OBEX Systems Limited				2279

Modular Safety Device MSD-LT 22M-S

C_20221019_153016.dwg

SYSTEM AND COMPONENTS ARE COVERED BY DESIGN REGISTRATION AND PATENT APPLICATIONS