



Bonneagar Iompair Éireann
Transport Infrastructure Ireland

TII Publications



Standard Construction Details - Series 1300

April 2017

Standard Construction Details (SCDs) – Series 1300

TII Publications contains Standard Construction Details (SCDs) for use on National Road schemes in Ireland. This composite document brings together all the Series 1300 SCDs from TII Publications current at the date of this document's publication, into a single location for convenience.

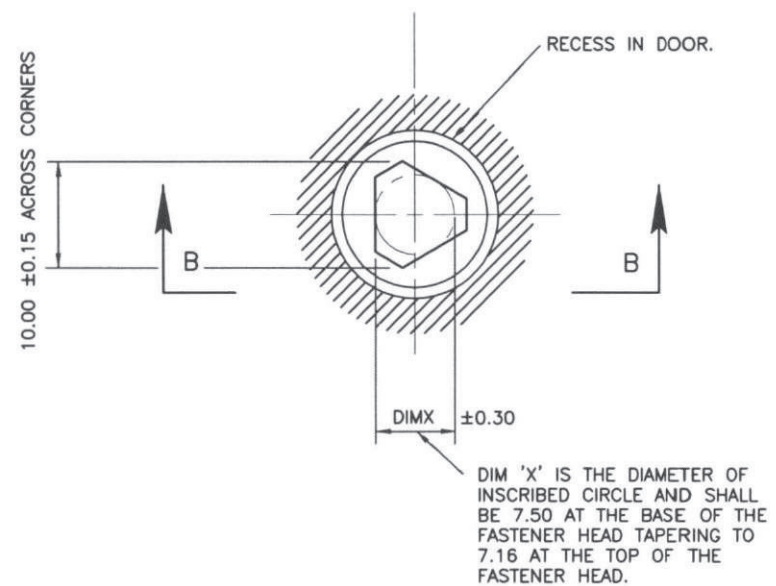
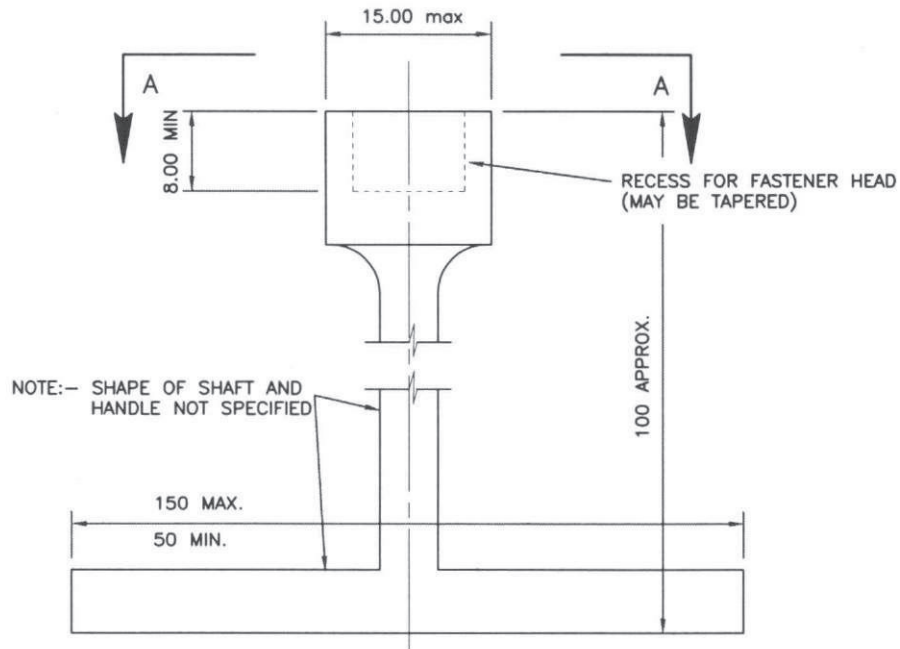
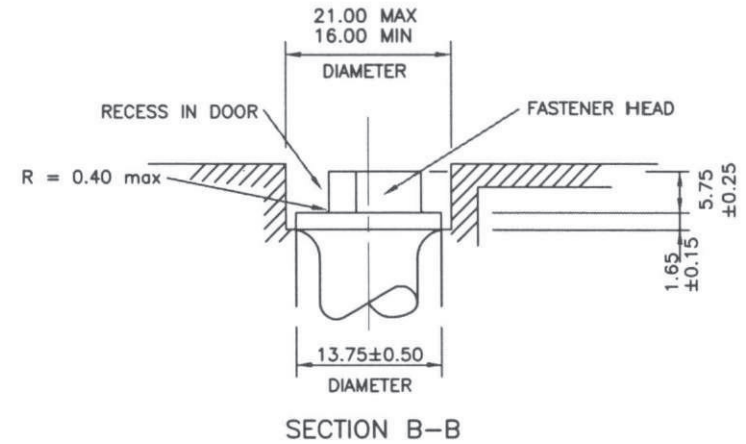
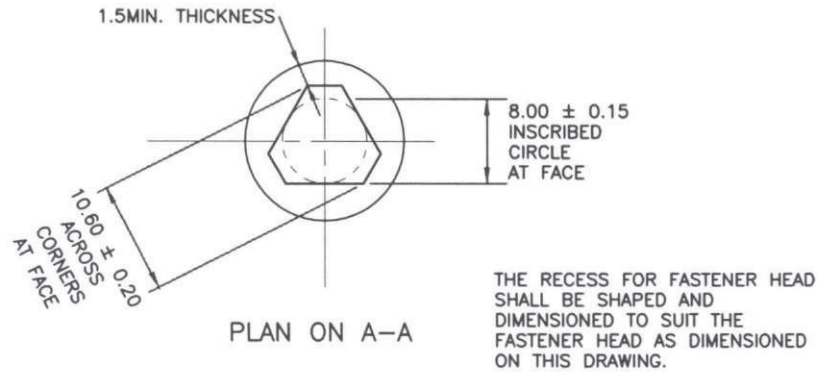
Every effort has been made to keep this composite document updated and available from the TII Publications website (<http://www.tiipublications.ie/>). Please note that the SCD drawings available from the TII Publications website (individually linked below) are the controlled versions for all SCDs.

The SCDs contained in this document are as follows:

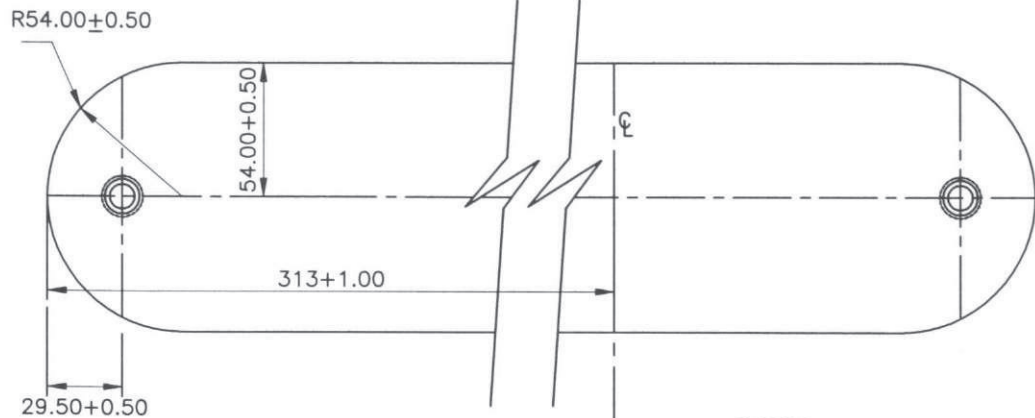
Series 1300 Road Lighting

CC-SCD-01301	Road Lighting - Lighting Columns - Fastener Head in Door Recess and Key
CC-SCD-01302	Lighting Columns and Brackets - Steel Lighting Column Door

- NOTES: 1. ALL DIMENSIONS ARE IN MILLIMETRES.
 2. THE KEY SHALL BE CAPABLE OF RELEASING WITHOUT DAMAGE ALL TRI-HEAD FASTENERS AS DIMENSIONED ON THIS DRAWING.



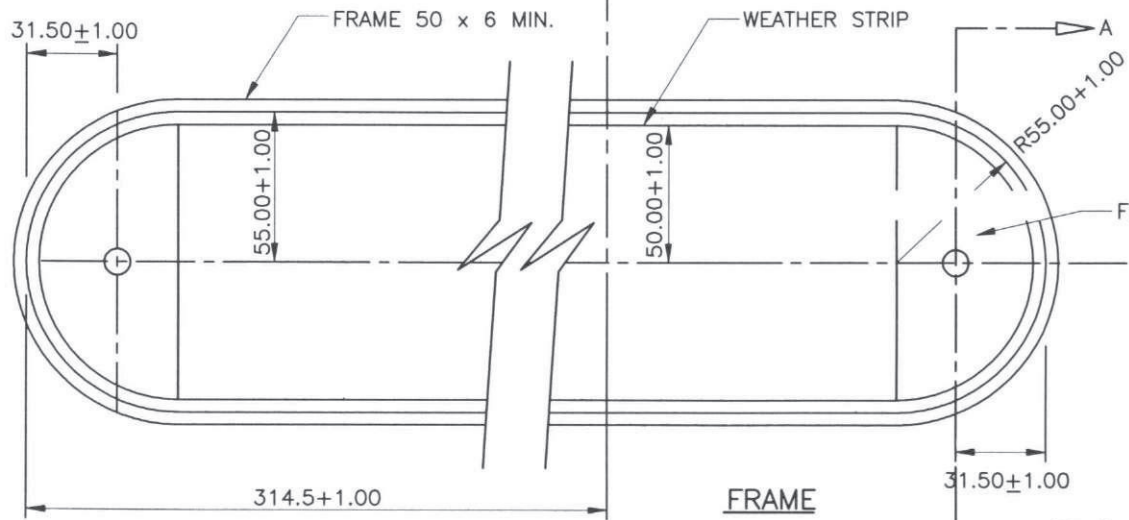
TII PUBLICATION NUMBER: CC-SCD-01301



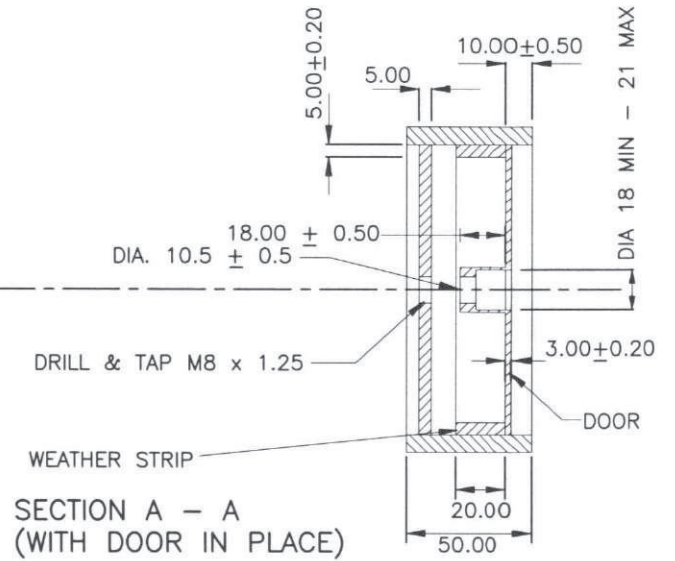
DOOR

NOTES :

- 1 ALL LINEAR DIMENSIONS IN MILLIMETRES.
- 2 ALL ANGLES IN DEGREES.
- 3 TOP AND BOTTOM OF DOOR AND FRAME ARE IDENTICAL.
- 4 ANY JOINTING OF FRAME SHALL OCCUR ONLY ON THE VERTICAL SECTIONS.
- 5 FRAME IS WELDED TO COLUMN ALL AROUND ON THE OUTSIDE EXTENDING 10 ± 1.00 BEYOND COLUMN EXTERNAL FACE AT VERTICAL CENTRELINE OF OPENING.




FRAME ASSEMBLY



TII PUBLICATION NUMBER: CC-SCD-01302

	ROAD CONSTRUCTION DETAILS	LIGHTING COLUMNS AND BRACKETS			STEEL LIGHTING COLUMN DOOR	Drawing No.
			P1	03/00		RCD/
			Issue	Date		1300/2



 Ionad Ghnó Gheata na Páirce,
Stráid Gheata na Páirce,
Baile Átha Cliath 8, D08 DK10, Éire

 Parkgate Business Centre,
Parkgate Street,
Dublin 8, D08 DK10, Ireland

 www.tii.ie

 info@tii.ie

 +353 (01) 646 3600

 +353 (01) 646 3601